

# PRODUCT INFO

## BACK-ROLLER PLUS URBAN

Rear pannier with roll closure and QL2.2-system



Additional fastening with strap, buckle and D-ring

QL2.2 system

IP 64

Anti scratch

PVC free

PS55C

Zinc die-cast hook with webbing for adjusting to roll or flap closure of the outer pocket

Buckles for closing the rolling closure at the top or for attaching the shoulder strap

Waterproof outer pocket with roll / flap closure

Two lateral 3M Scotchlite reflectors

Shoulder strap with flap for direct fixation of the strap to the bag

Release handle for mounting and releasing the QL2.2 system

Injection-molded auxiliary fastener for fixing the handle

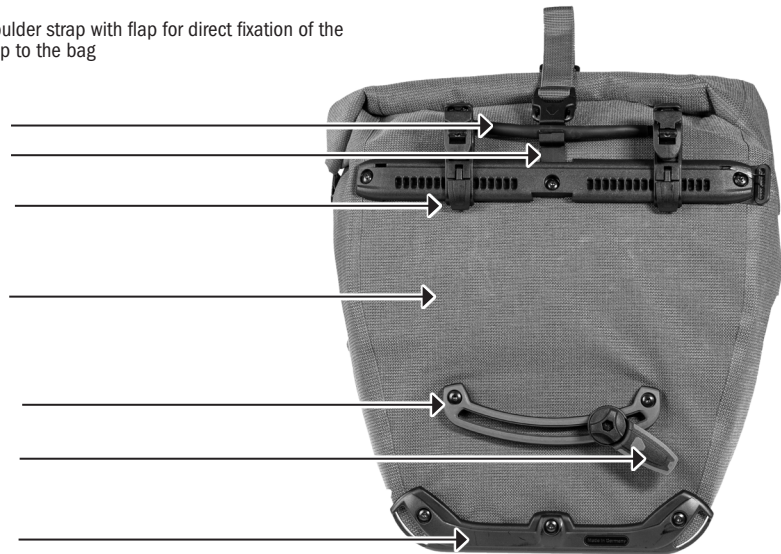
Self-closing QL2.2 hooks with anti-scratch coating, individually adjustable from 10-16mm, compatible with tube diameters of 8-16mm

PE inner stiffening panel is prepared for Pannier stabilizing insert

Hook rail made of two-component plastic with anti-scratch function

Movable and rotatable QL2.2 locking hook with anti-scratch coating, adjustable and rotatable in 15° increments on the rail and adjustable from 10-18mm

Edge protector with slots for mounting the Pannier Carrying System



Height cm/in	Width cm/in	Depth cm/in	Volume L/cu.in.	Weight g/oz.	max. capacity kg/lbs.
42/16.5	23/32 9/12.6	17/6.7	20 + 3 / 1220 + 183	950 / 33,5	12,5/27.6

## SPECIFICATIONS:

- + Classical rear pannier with roll closure
- + PU-coated Cordura blend fabric
- + QL2.2 system
- + Upper QL hook and lower sliding hook adjustable without tools
- + Upper Quick-Lock hooks and lower locking hook without inserts, individually adjustable to different tube diameters
- + Lower hook rail with anti-scratch function to protect the luggage carrier
- + Outer pocket with additional 3L volume
- + Including integrated inner pocket
- + Shoulder strap with flap that allows direct fixation of the strap to the bag
- + Can be used right or left due to symmetrical shape
- + Can be combined on the rack with ORTLIEB Rack-Pack size 24 L or 31 L
- + Highly reflective Scotchlite reflector
- + Easy to clean inside

**Contents:** Pannier with shoulder straps and reduction inserts for 8, 10 and 12 mm

**Optional accessories:** Pannier Stabilizing Insert, Packing Cubes, Commuter Insert M, Pannier Carrying System, QL2 Lock/keyed alike (F3913/F3915), Anti-Theft-Device (E125), Outer Pocket 2,1 L, Mesh-Pocket, Bottle-Cage

**Attention:** Maximum load per pannier is 12,5kg / 27 lbs. We recommend weighing each loaded pannier to confirm that the maximum allowance of the pannier fixation is not exceeded. This practice is advised for both rear and front panniers. CAUTION: The maximum weight capacity of every carrier model is different. Please observe the maximum weight allowance of the carrier fitted to your bicycle. Note: Sometimes the maximum capacity of the panniers fixing system can exceed the maximum capacity of the carrier. DO NOT exceed the maximum capacity of the carrier! Note, that the use of panniers will significantly influence the handling properties of your bicycle.

**Attention:** As abrasion cannot be ruled out, we recommend that all points where the mounting system contacts the bicycle rack or frame be protected by scratch protection film.

**Note:** In order to meet standard IP64 (6=dustproof 4=protected against splash water coming from all directions) the lid must be rolled 3-4 times.

