

BACK-ROLLER PLUS QL2.2

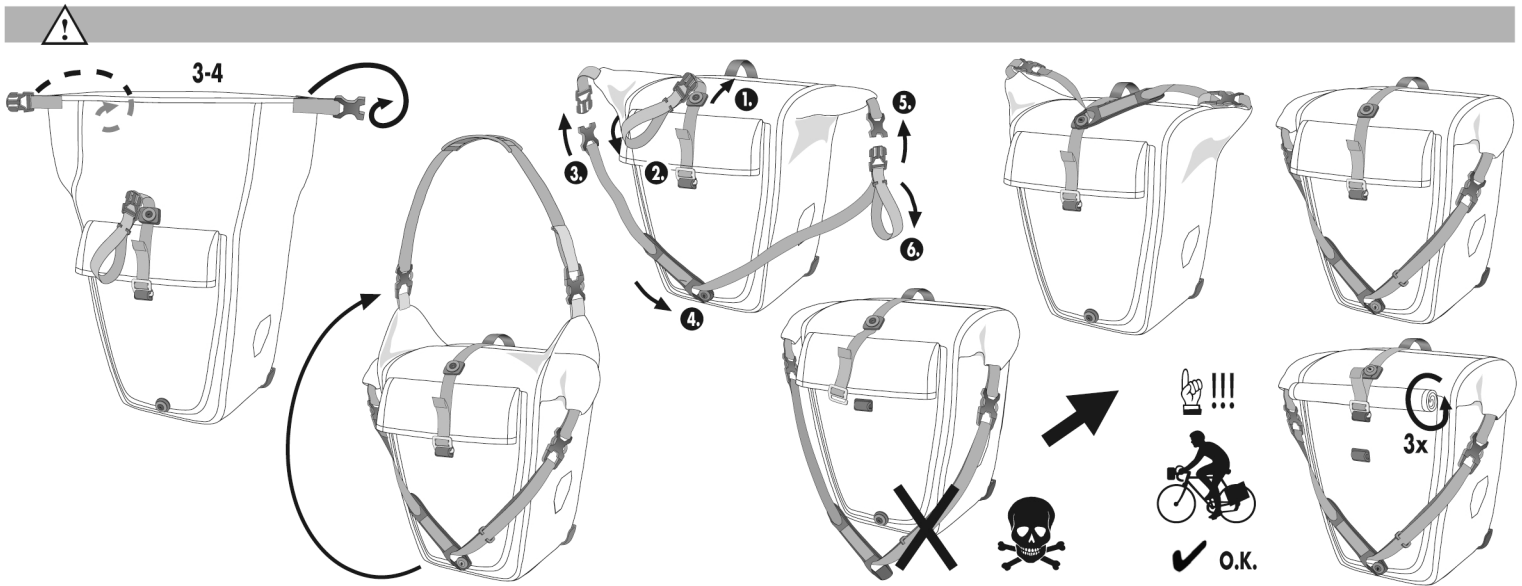
BACK-ROLLER PLUS URBAN QL2.2



- DE MONTAGEANWEISUNG
- GB ASSEMBLY INSTRUCTIONS
- FR INSTRUCTIONS DE MONTAGE
- IT ISTRUZIONI DI MONTAGGIO
- NL MONTAGE HANDLEIDING
- DK MONTERINGSVEJLEDNING
- ES INSTRUCCIONES DE MONTAJE
- SE MONTERINGSANVISNING
- NO MONTERINGSANVISNING
- FI ASENNUSOHJEET
- PL INSTRUKCJA MONTAZU
- JP 装着方法

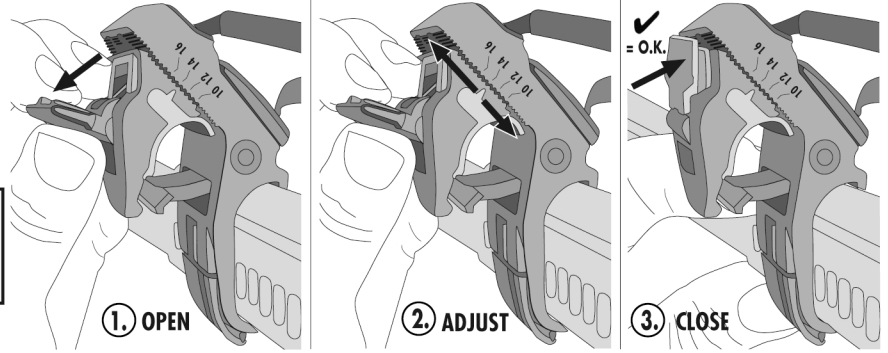
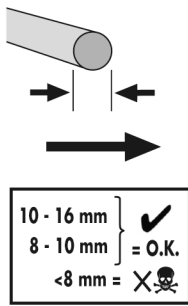
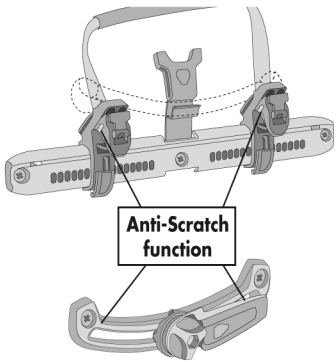


VIDEO



QL2.2-SYSTEM

1. ADJUST HOOK TO CORRECT TUBE SIZE

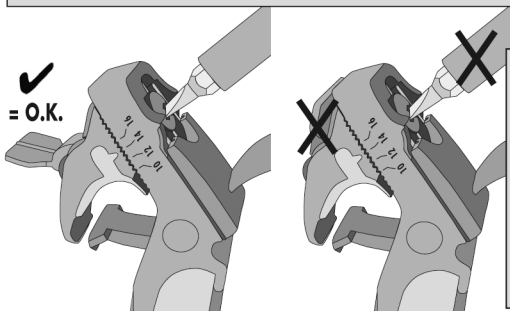


OPTIONAL: WENN DER EXZENTERHEBEL ZU FEST ODER ZU LOCKER IST, KANN DER DRUCK IM GEÖFFNETEN ZUSTAND MIT EINEM SCHRAUBENZIEHER EINGESTELLT WERDEN.

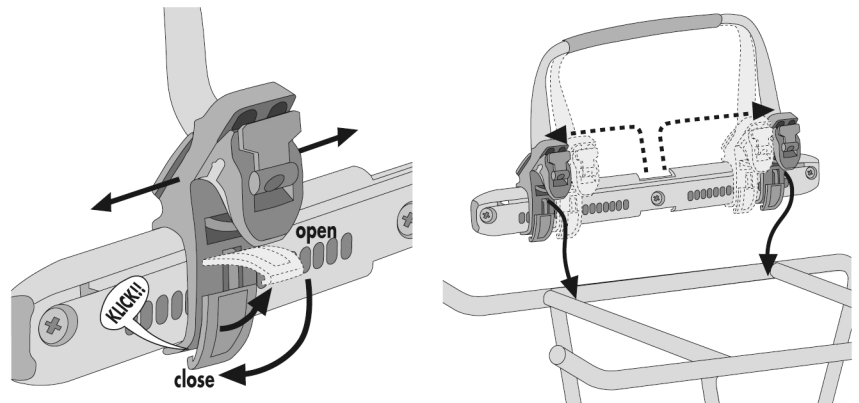
OPTIONAL: IF THE ECCENTRIC LEVER IS TOO TIGHT OR TOO LOOSE, THE TENSION CAN BE ADJUSTED WITH A SCREWDRIVER WHEN IT IS OPEN.

2. ADJUST HOOK POSITION

2.1 AS WIDE AS POSSIBLE



EXZENTERHEBEL NIEMALS IM GESCHLOSSENEN ZUSTAND ANPASSEN. NEVER ADJUST WHEN ECCENTRIC LEVER IS CLOSED.



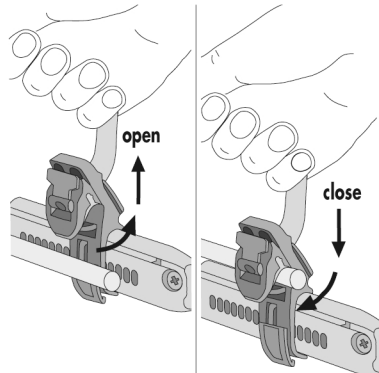
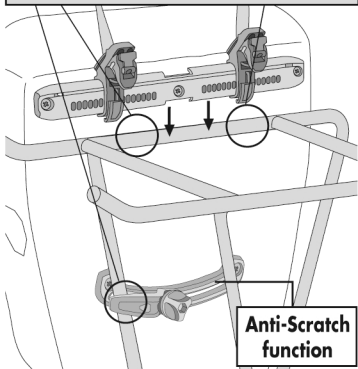
3. IMPROVE ANTI-SCRATCH

4. OPEN/CLOSE

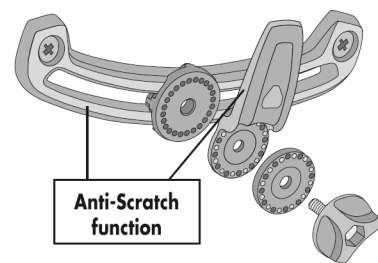
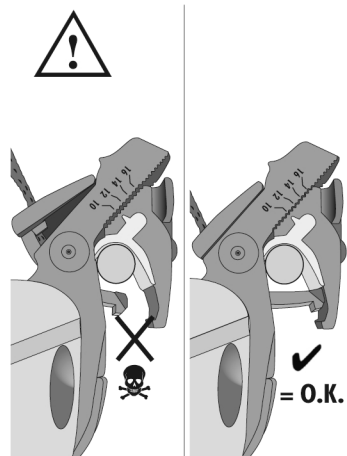
5. CHECK SECURE CLOSURE

6. LOWER HOOK

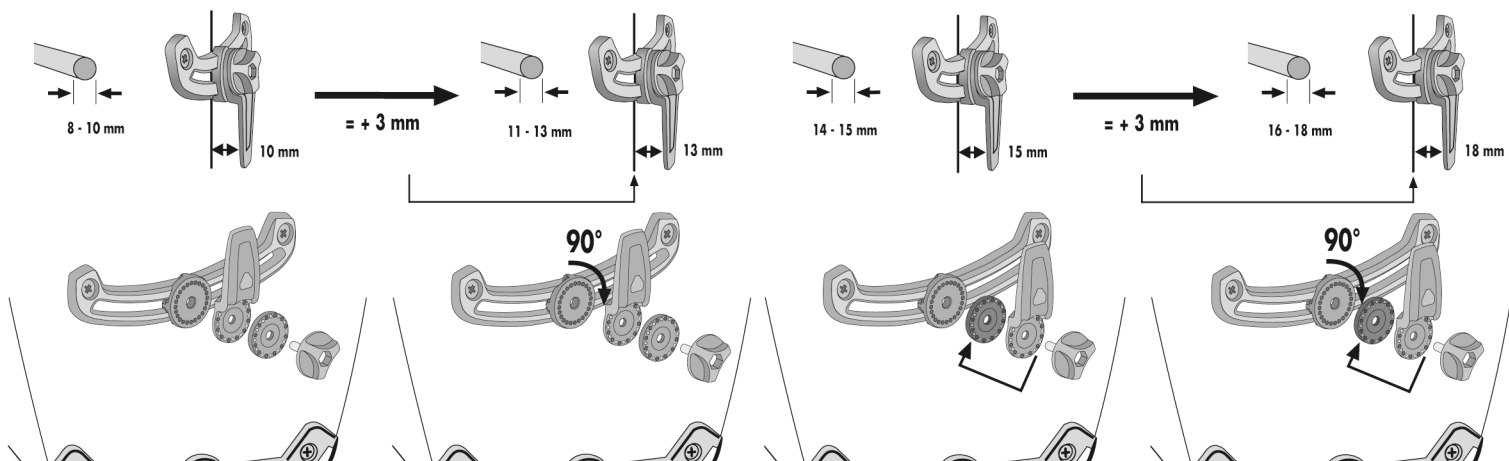
UM KRATZER ZU VERMEIDEN, BENUTZE RAHMENSCHUTZFOLIE AN DEN KONTAKTSTELLEN (nicht beinhaltet)
TO AVOID SCRATCHES, USE ADHESIVE FRAME PROTECTION AT CONTACT POINTS (not included)



QL2.2-SYSTEM

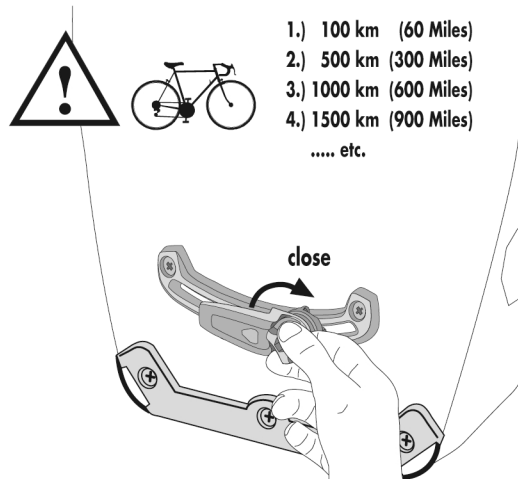
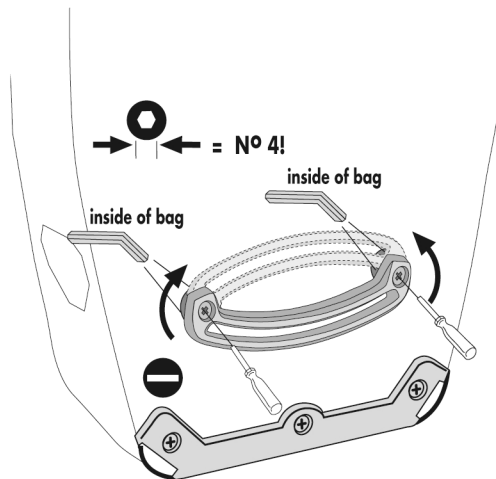
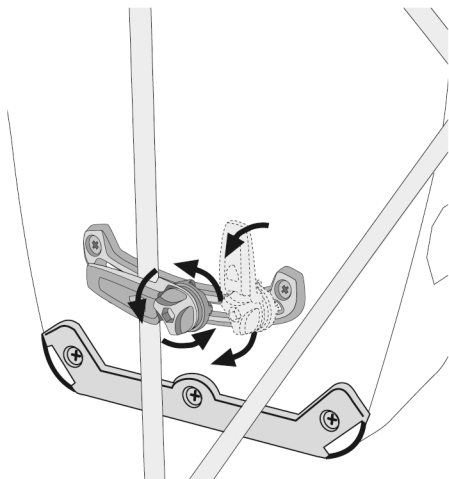


7. ADJUST LOWER HOOK TO TUBE SIZE



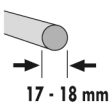
8. POSITION TOWARDS DIRECTION OF TRAVEL OPTIONAL: SWITCH DIRECTION IF NEEDED

9. RETIGHTEN REGULARLY

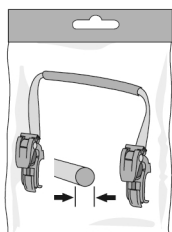
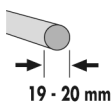


ACCESSORIES

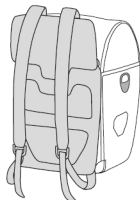
= + Art. #E211



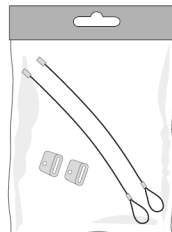
= + Art. #E193



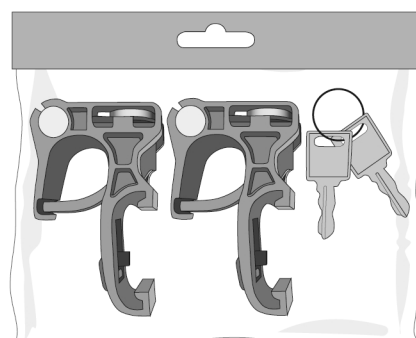
= + Art. #F35



= + Art. #E125 (l)
= + Art. #E124 (s)



= + Art. #F3913



= + Art. #F3915