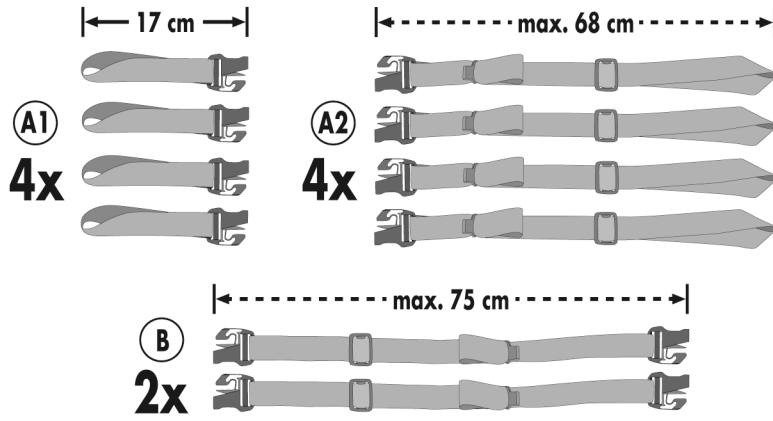


CARGO-STRAPS

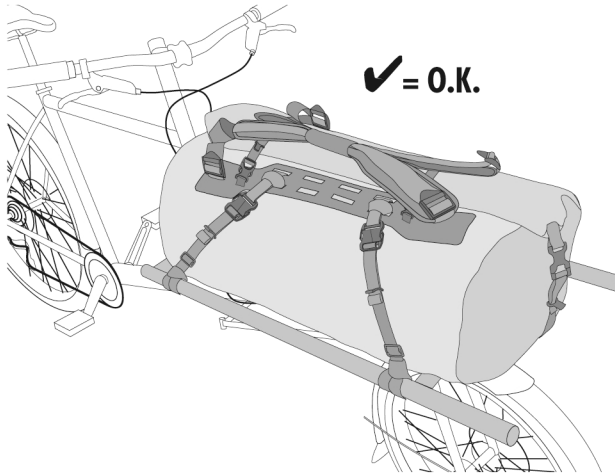


- DE MONTAGEANLEITUNG:
- GB ASSEMBLY INSTRUCTIONS:
- FR INSTRUCTIONS DE MONTAGE:
- IT ISTRUZIONI DI MONTAGGIO:
- NL MONTAGE HANDLEIDING:
- DK MONTERINGSVEJLEDNING:
- ES INSTRUCCIONES DE MONTAJE:
- SE MONTERINGSANVISNING:
- NO MONTERINGSANVISNING:
- FI ASENNUSOHJEET:
- PL INSTRUKCJA MONTAŻU:
- JP 装着方法

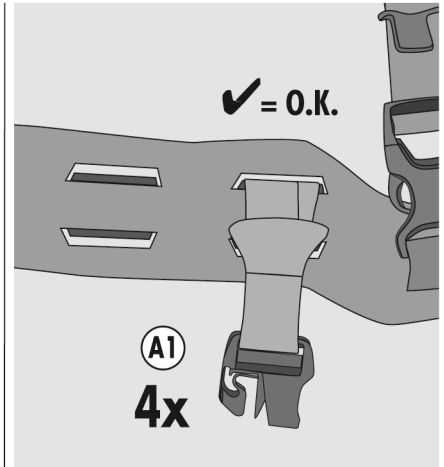
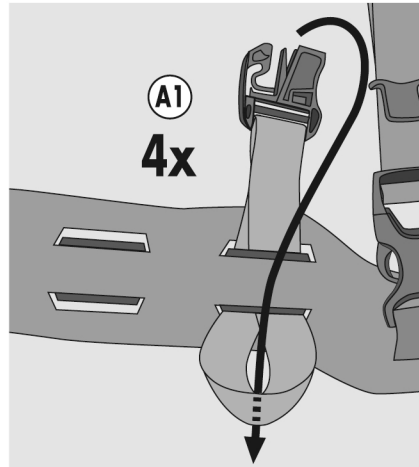


WEITERE INFORMATIONEN:
 MORE INFORMATION:
<https://qr.de/CargoStraps>

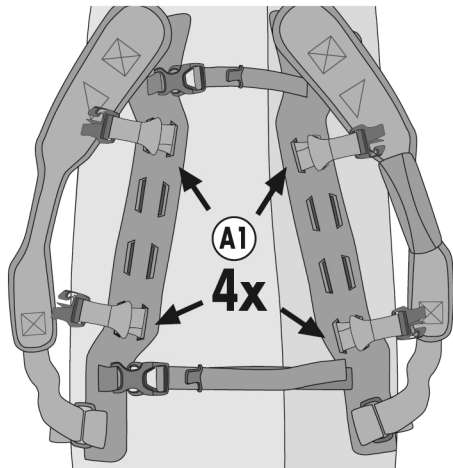
1. DUFFLE MOUNTING



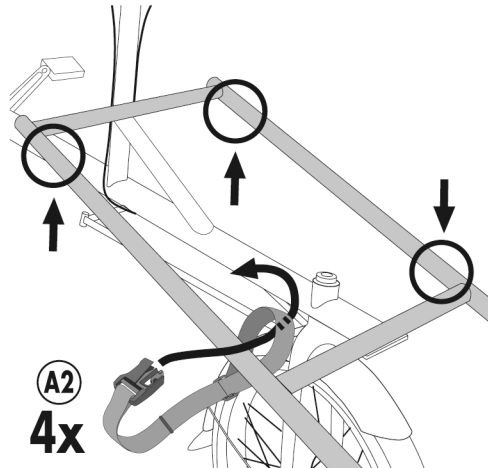
1.1 ATTACH (A1)



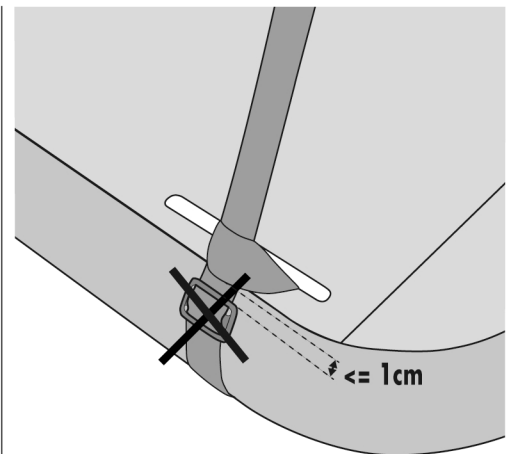
1.1 ATTACH (A1)



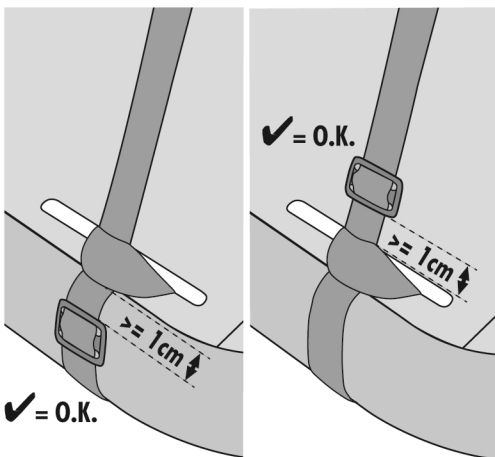
1.2 ATTACH (A2)



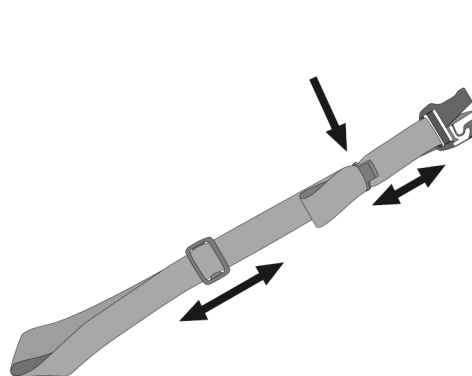
1.2 WRONG



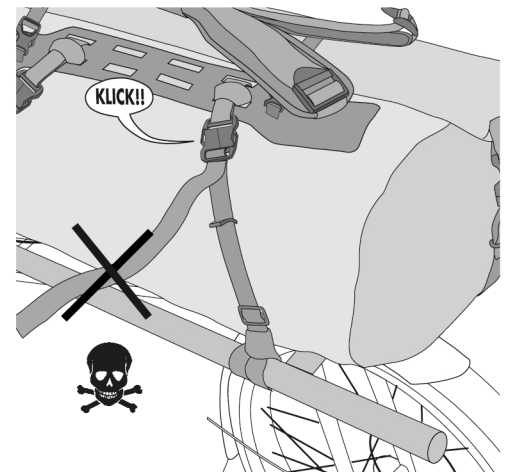
1.2 CORRECT



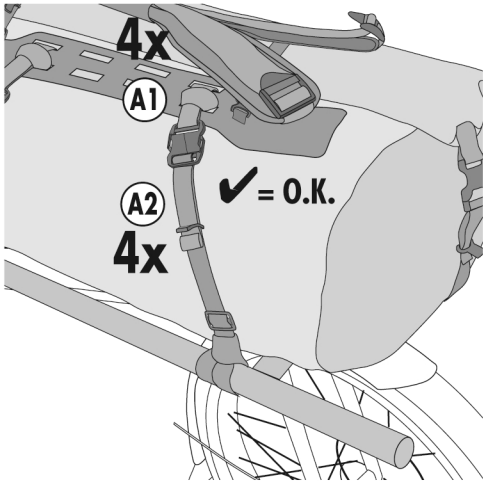
1.2 ADJUST STRAP AS NEEDED



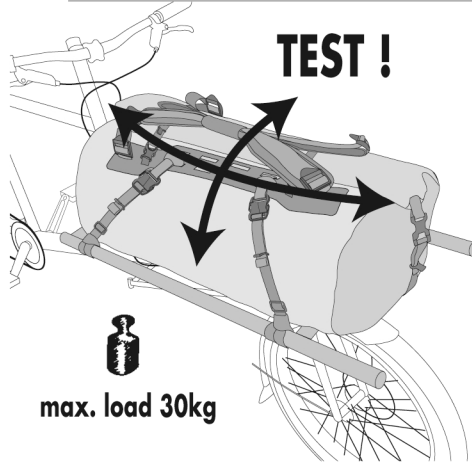
1.3 CORRECT MOUNT (A1) + (A2)



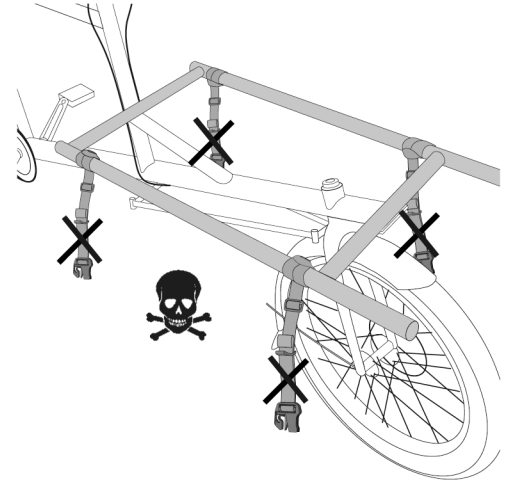
1.3 CORRECT MOUNT (A1) + (A2)



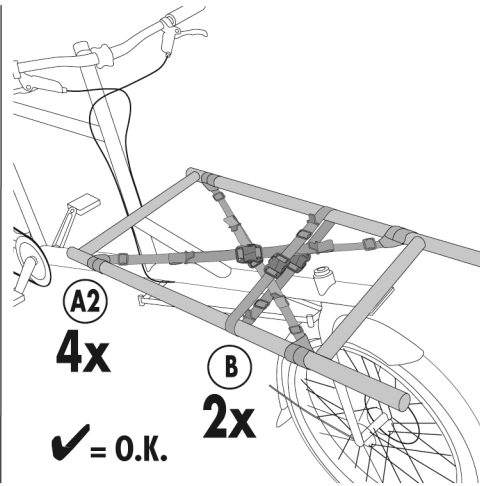
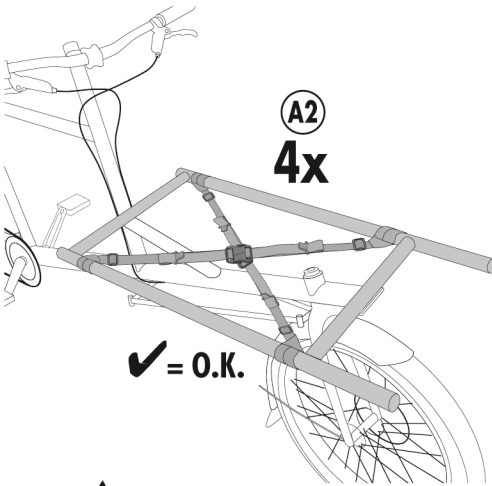
1.4 CONFIRM SECURE MOUNTING BEFORE RIDING



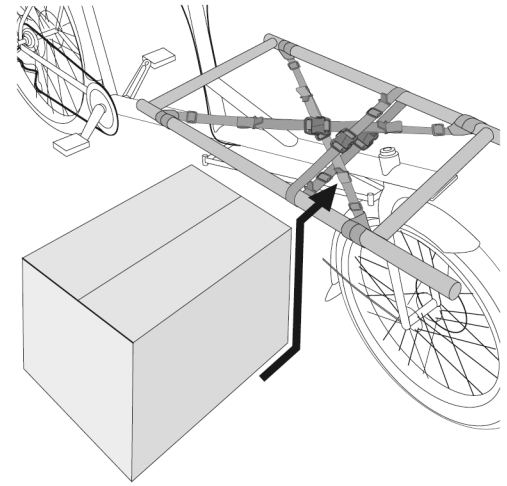
2. CYCLING WITHOUT A LOAD - WRONG



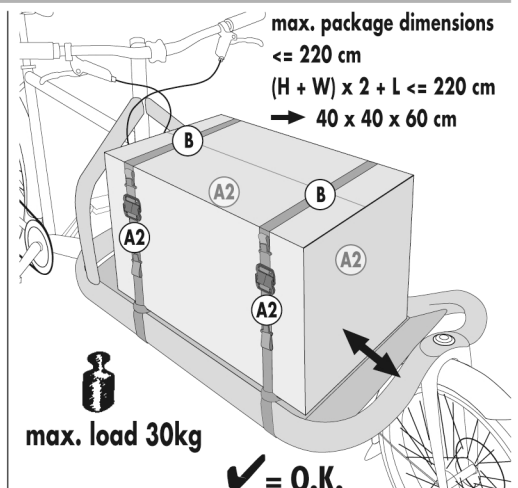
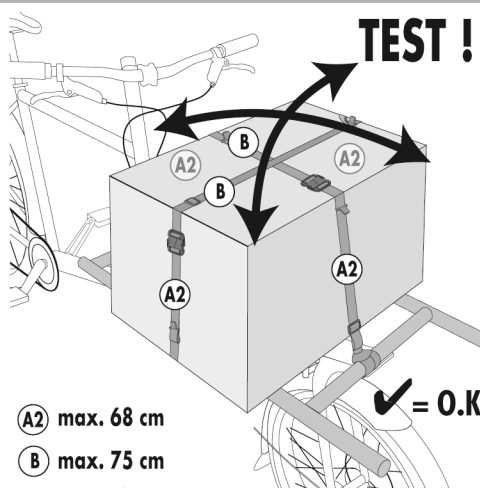
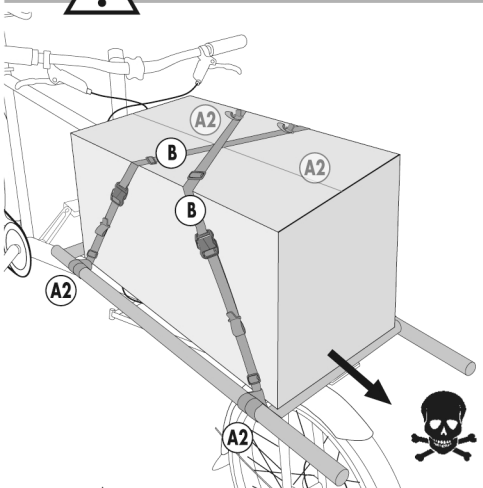
2.1 CYCLING WITHOUT A LOAD - CORRECT



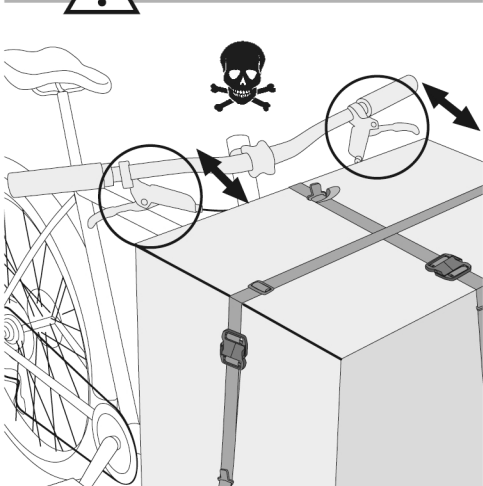
3. CARGO MOUNTING



3.1 ! CONFIRM SECURE MOUNTING BEFORE RIDING



3.2 ! CHECK FOR STEERING CLEARANCE



3.3 ! CHECK FOR SECURE BUCKLE POSITION

