

GRAVEL-PACK

DE MONTAGEANLEITUNG
 GB ASSEMBLY INSTRUCTIONS
 FR INSTRUCTIONS DE MONTAGE

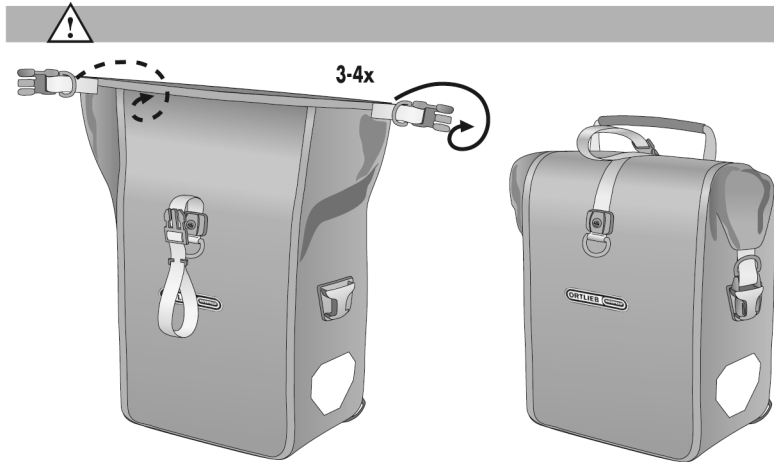
IT ISTRUZIONI DI MONTAGGIO
 NL MONTAGE HANDLEIDING
 DK MONTERINGSVEJLEDNING

ES INSTRUCCIONES DE MONTAJE
 SE MONTERINGS ANVISNING
 NO MONTERINGS ANVISNING

FI ASENNUSOHJEET
 PL INSTRUKCJA MONTAZU
 JP 装着方法

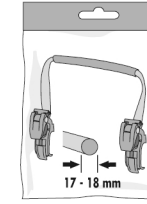
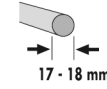


GRAVEL-PACK

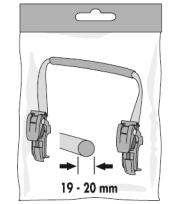
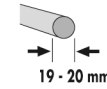


ACCESSORIES

= + Art. #E211



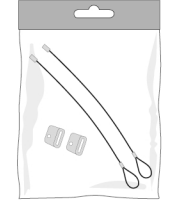
= + Art. #E193



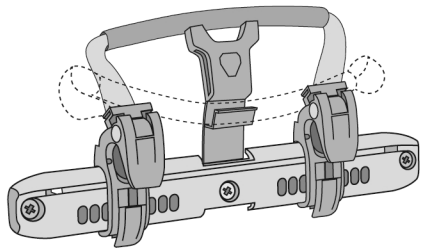
= + Art. #F35



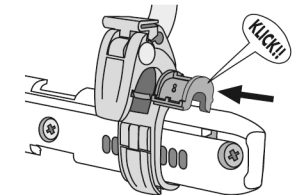
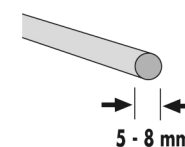
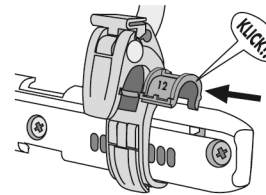
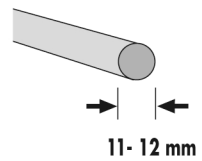
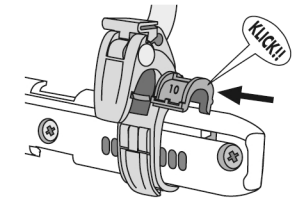
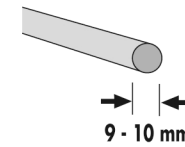
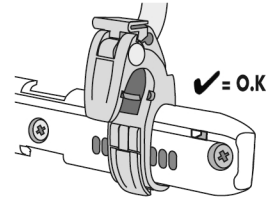
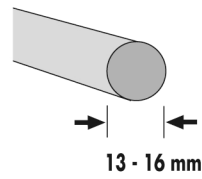
= + Art. #E125 (l)
 = + Art. #E124 (s)



QL2.1

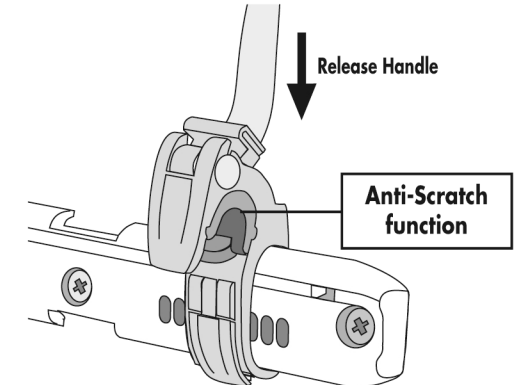
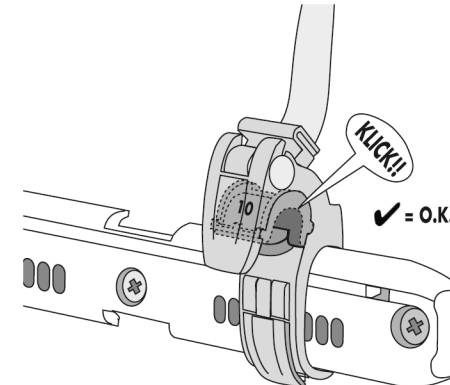
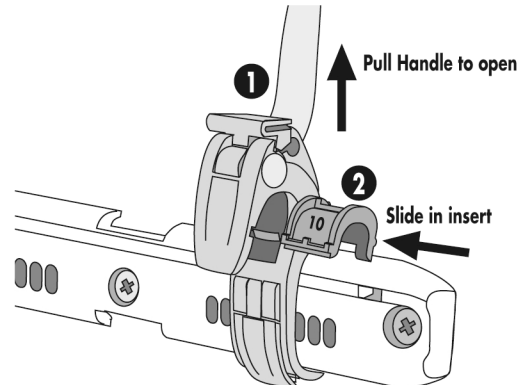
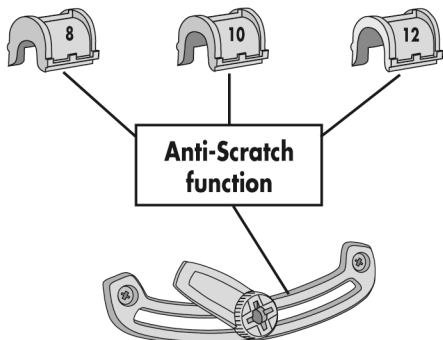


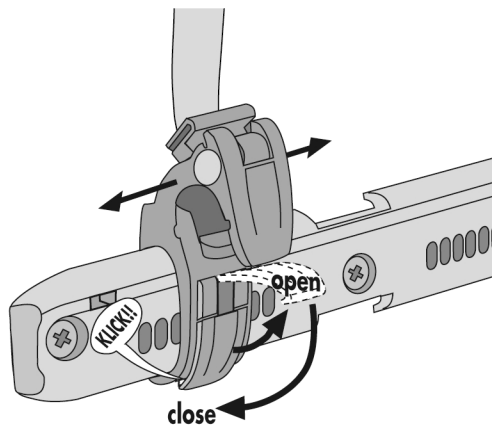
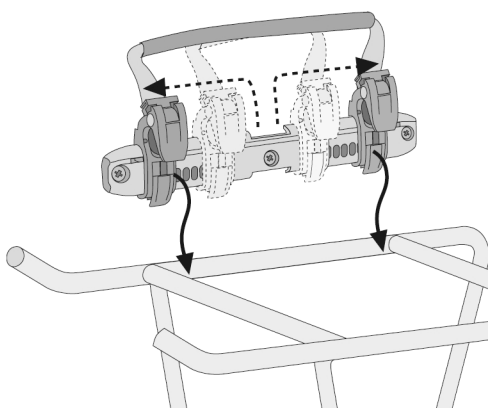
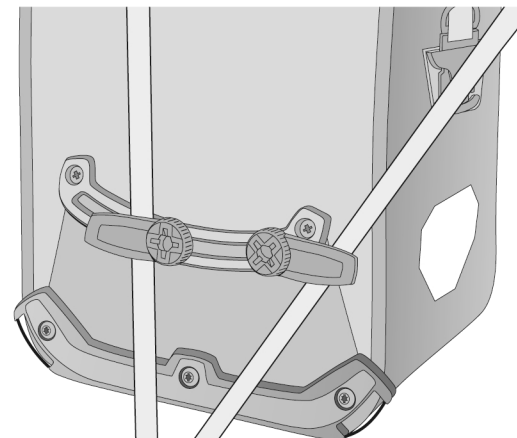
A



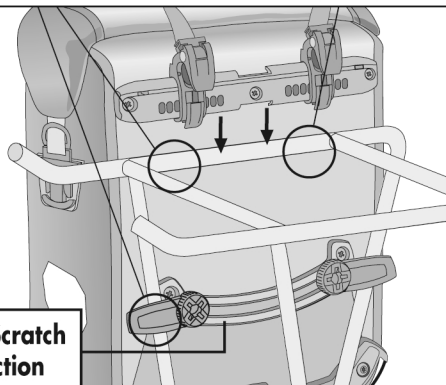
= **A** 8 mm = **B** 10 mm = **C** 12 mm

B C D

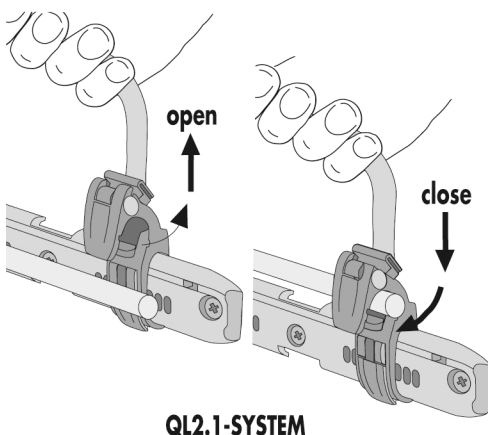
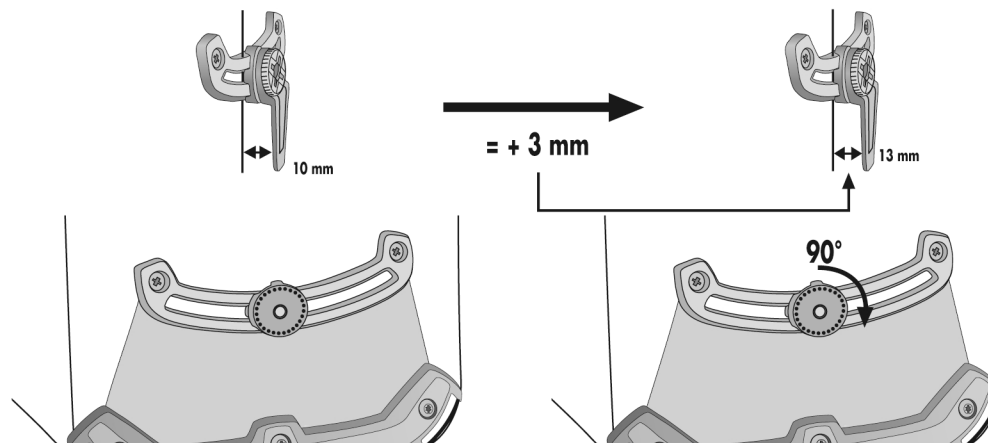
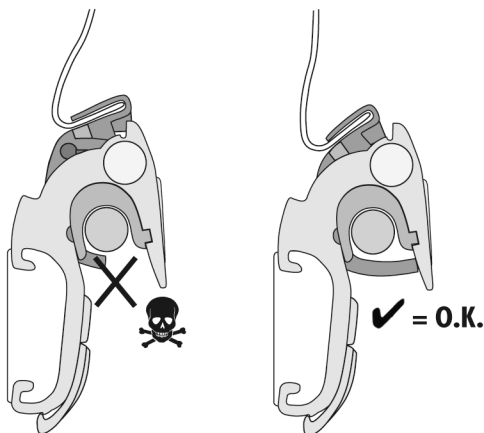
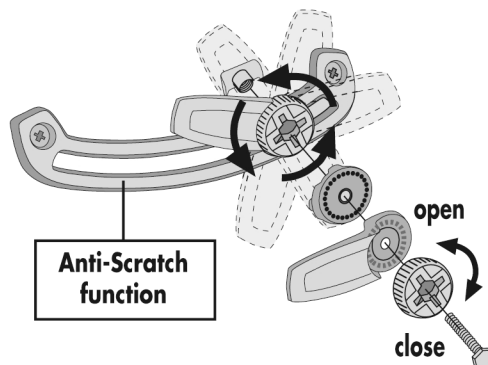


E**F****K****G**

UM KRATZER ZU VERMEIDEN, BENUTZE RAHMENSCHUTZFOLIE AN DEN KONTAKTSTELLEN (nicht beinhaltet)
TO AVOID SCRATCHES, USE ADHESIVE FRAME PROTECTION AT CONTACT POINTS (not included)



**Anti-Scratch
function**

H**Option 1****I****J****Option 2**