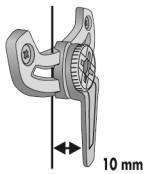
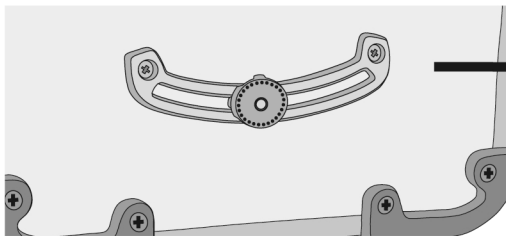
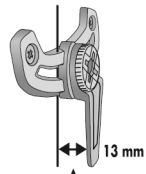




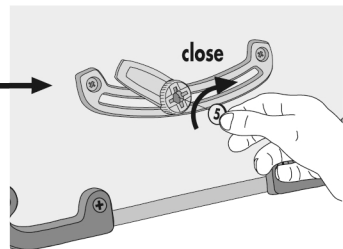
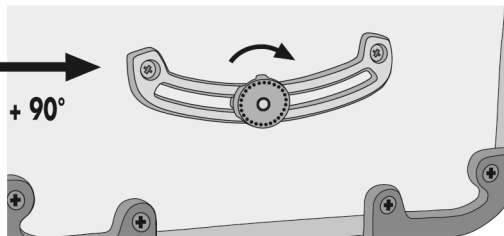
OPTION 3



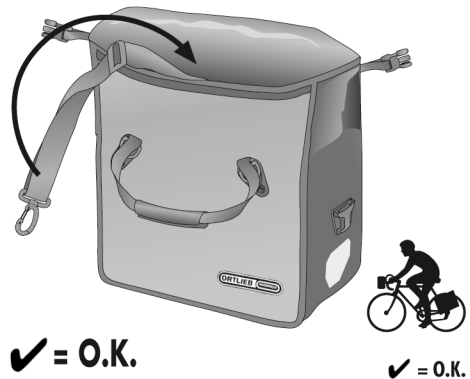
= + 3 mm



= + 90°



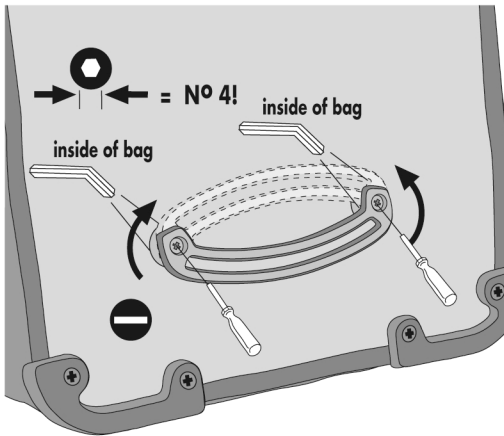
- 1.) 100 km (60 Miles)
- 2.) 500 km (300 Miles)
- 3.) 1000 km (600 Miles)
- 4.) 1500 km (900 Miles)
- etc.



✓ = O.K.

✓ = O.K.

OPTION 2



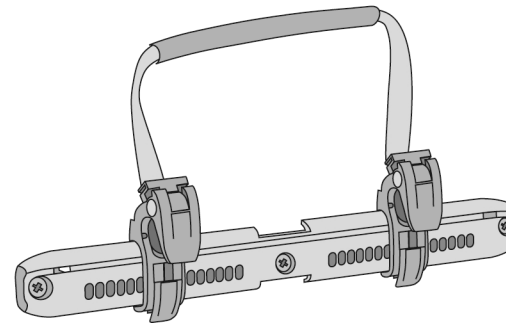
OFFICE-BAG QL2.1

- DE MONTAGEANLEITUNG
- GB ASSEMBLY INSTRUCTIONS
- FR INSTRUCTIONS DE MONTAGE
- IT ISTRUZIONI DI MONTAGGIO
- NL MONTAGE HANDLEIDING
- DK MONTERINGSVEJLEDNING
- ES INSTRUCCIONES DE MONTAJE
- SE MONTERINGSANVISNING
- NO MONTERINGSANVISNING
- FI ASENNUSOHJEET
- PL INSTRUKCJA MONTAZU
- JP 装着方法

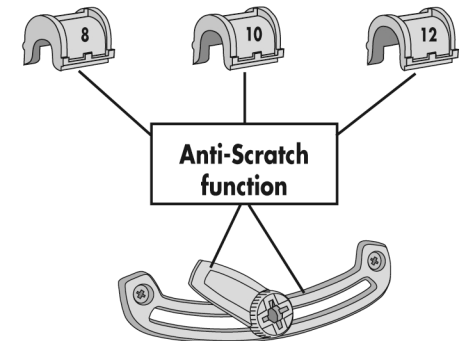
ORTLIEB WATERPROOF



QL2.1

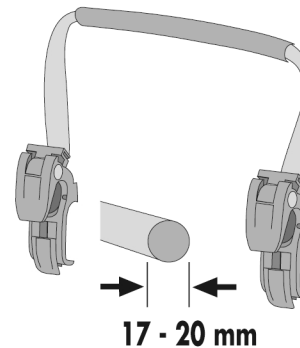


= **A** 8 mm = **B** 10 mm = **C** 12 mm



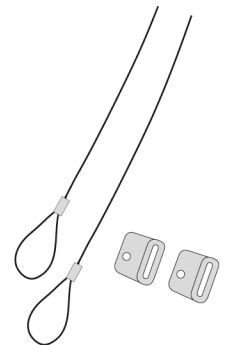
ACCESSORIES

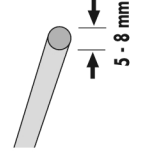
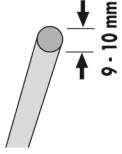
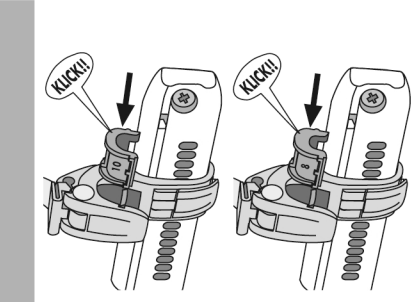
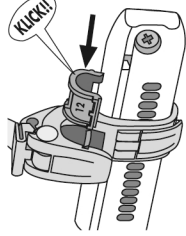
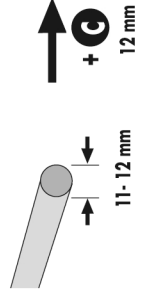
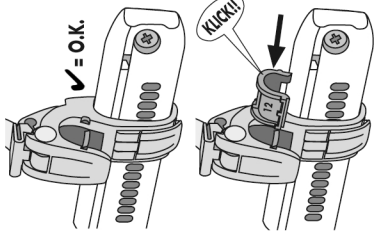
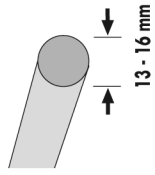
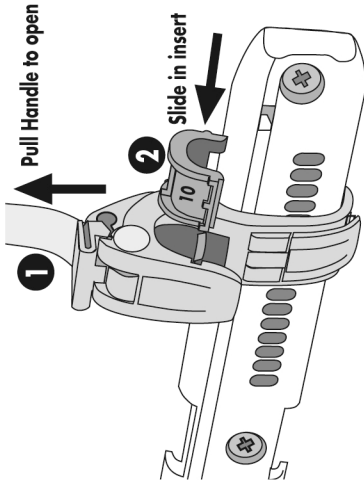
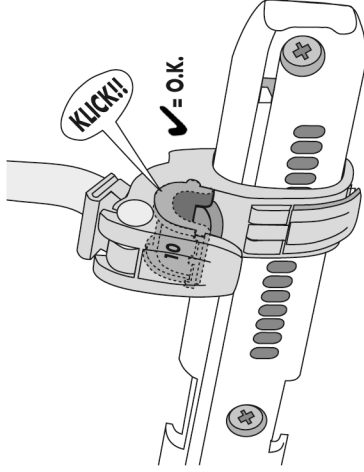
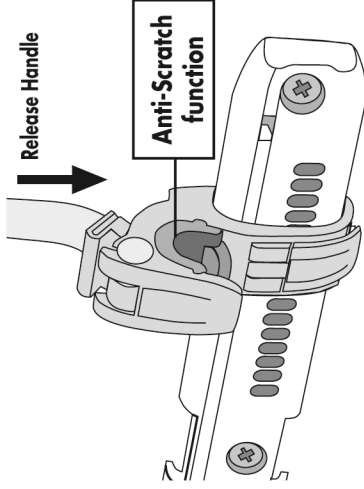
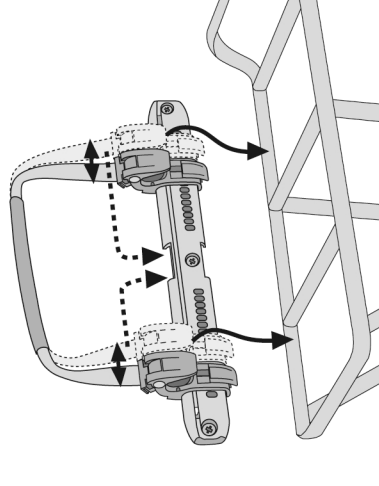
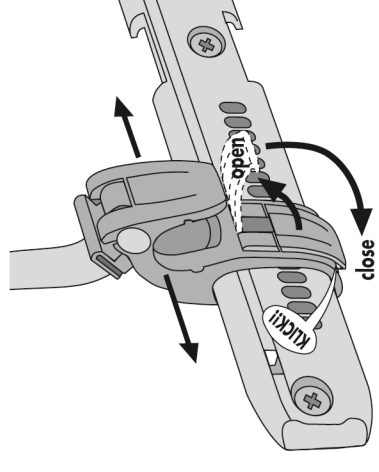
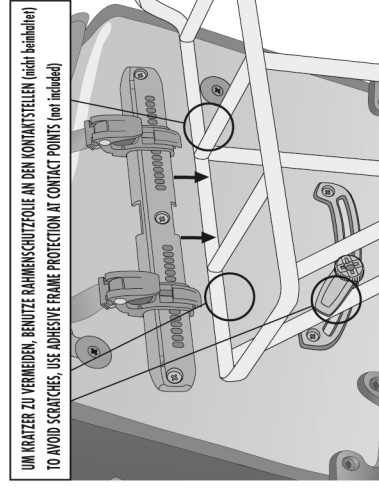
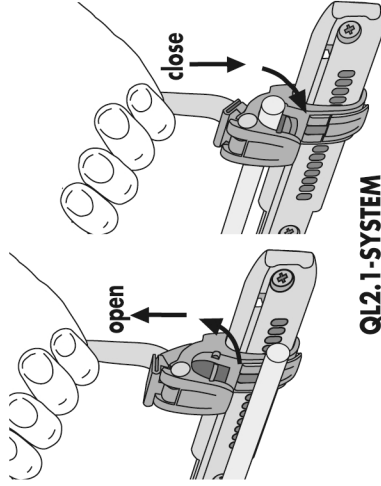
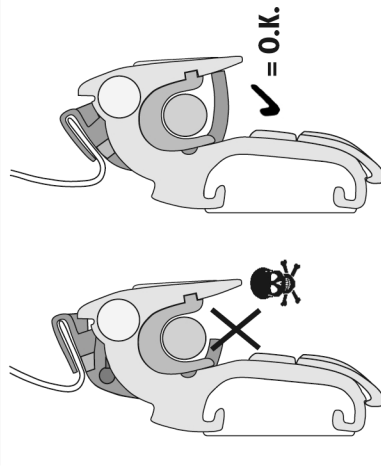
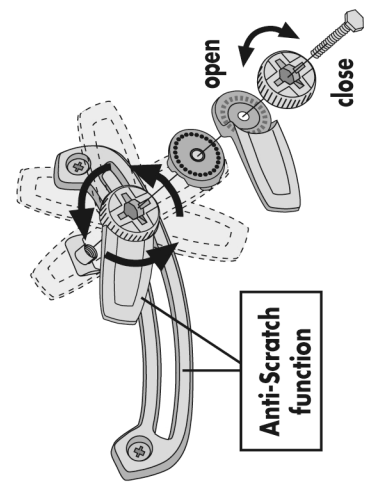
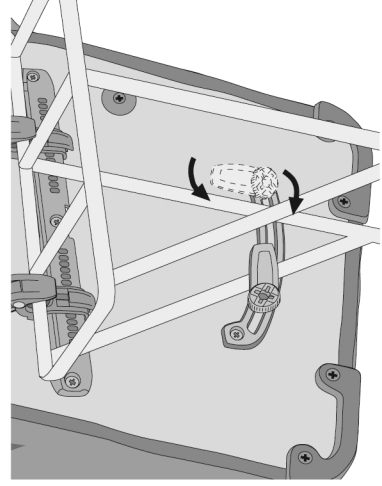
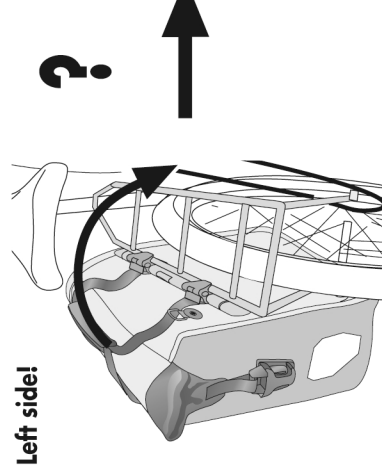
= + Art. #E193



17 - 20 mm

= + Art. #E125 (l)



A**B****C****D****E****F****G****H****I****J****K****L****OPTION 1**