

QL1-SYSTEM

DE MONTAGEANLEITUNG
GB ASSEMBLY INSTRUCTIONS
FR INSTRUCTIONS DE MONTAGE

IT ISTRUZIONI DI MONTAGGIO
NL MONTAGE HANDLEIDING
DK MONTERINGSVEJLEDNING

ES INSTRUCCIONES DE MONTAJE
SE MONTERINGS ANVISNING
NO MONTERINGS ANVISNING

FI ASENNUSOHJEET
PL INSTRUKCJA MONTAZU
JP 装着方法



QL1 - MODELS

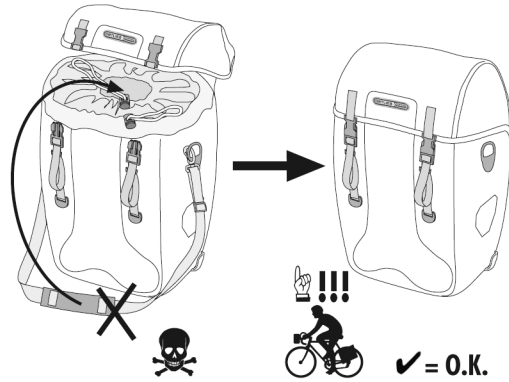
Bike-Packer



Sport-Packer

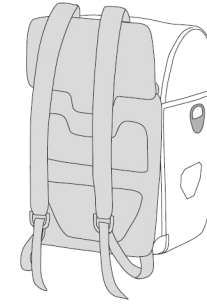


incl.

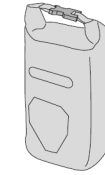


ACCESSORIES

= + Art. #F35



= + Art. #F915



= + Art. #F9101



= + Art. #F9121

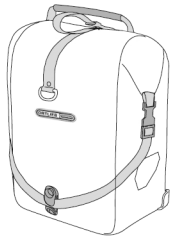


QL1 - MODELS

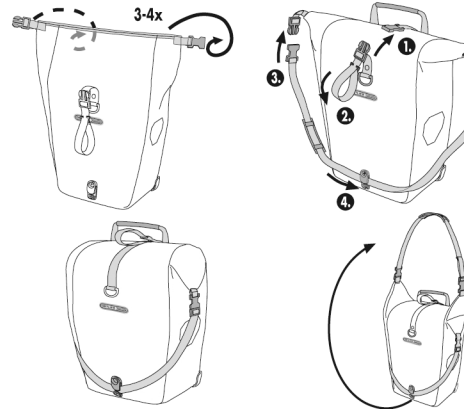
Back-Roller



Sport-Roller

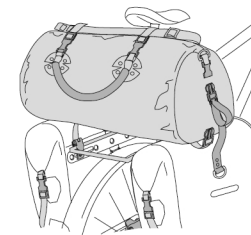


incl.



ACCESSORIES

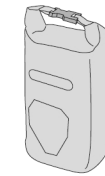
= + Rack-Pack, Size S + M



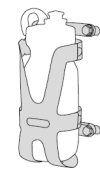
= + Art. #F34



= + Art. #F915



= + Art. #F9101



= + Art. #F9121

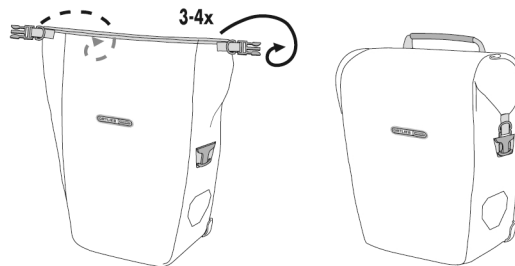


QL1 - MODELS

Back-Roller City



Sport-Roller City



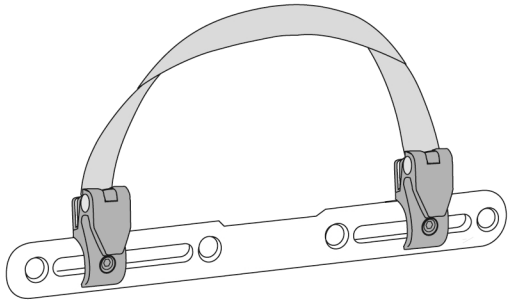
ACCESSORIES

= + E 172

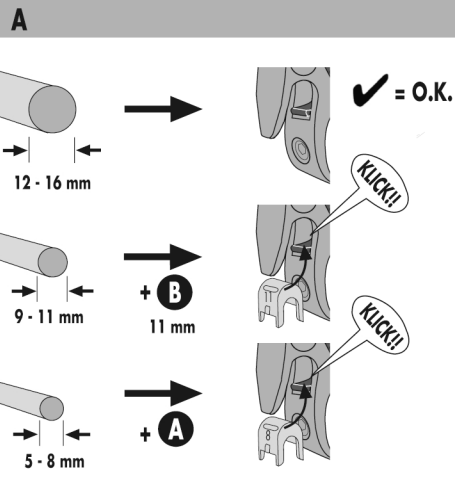


= + Art. #F34

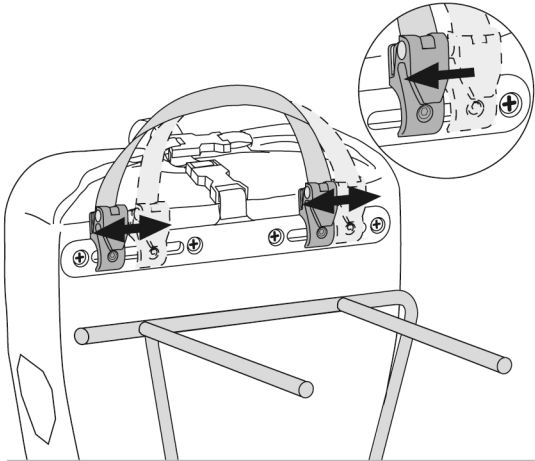




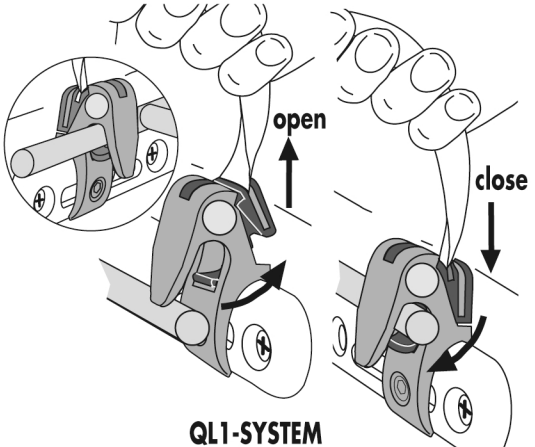
8 = **A** 8 mm
11 = **B** 11 mm



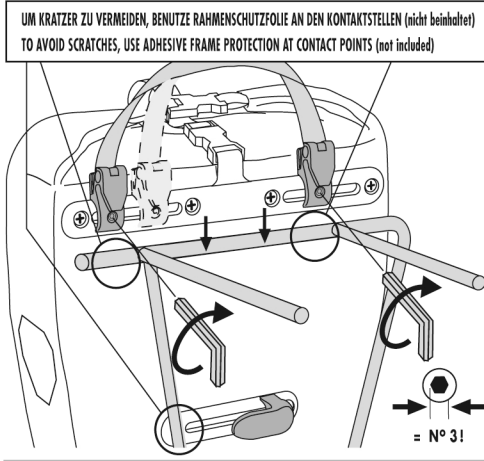
B



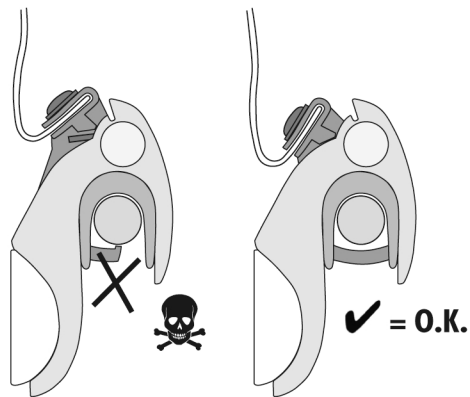
D



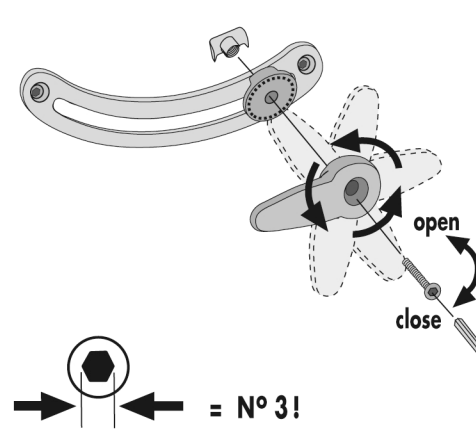
C



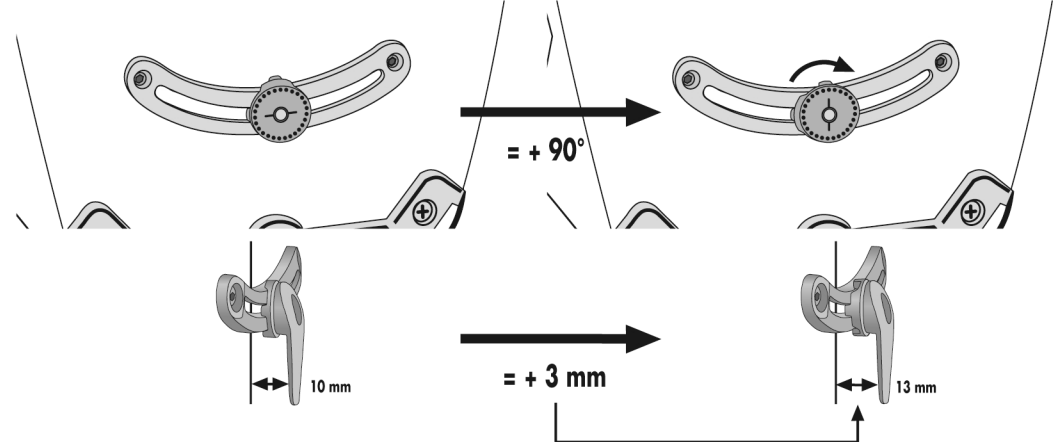
E



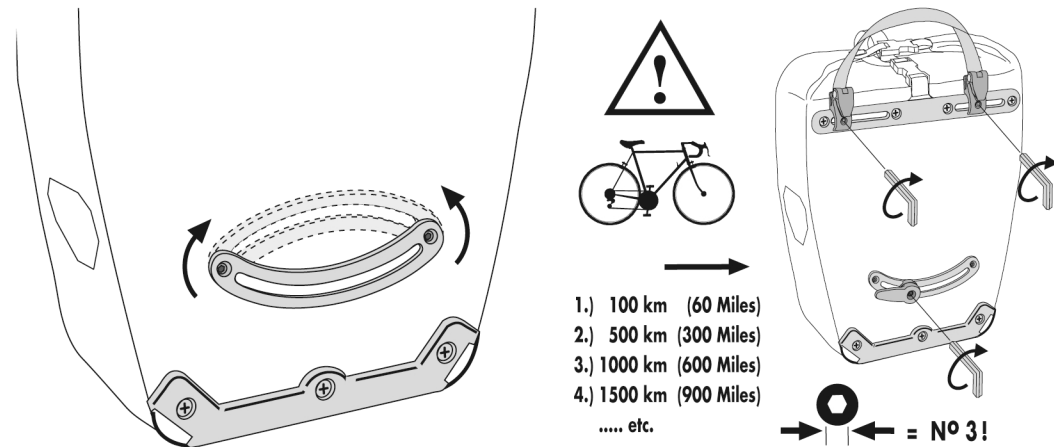
F



Option 1



Option 2



G

