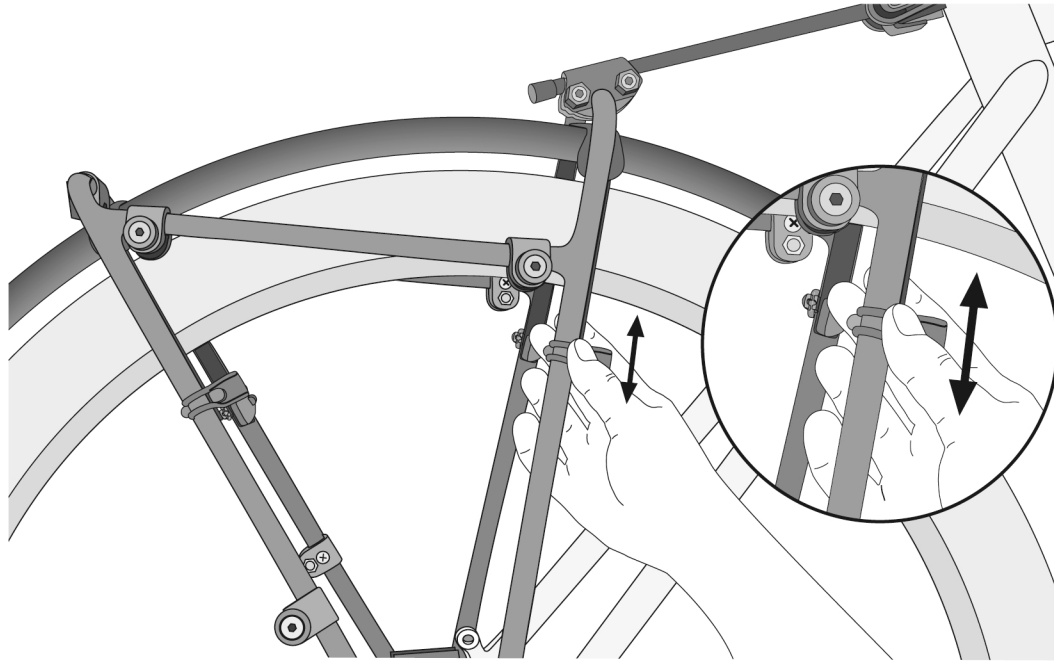
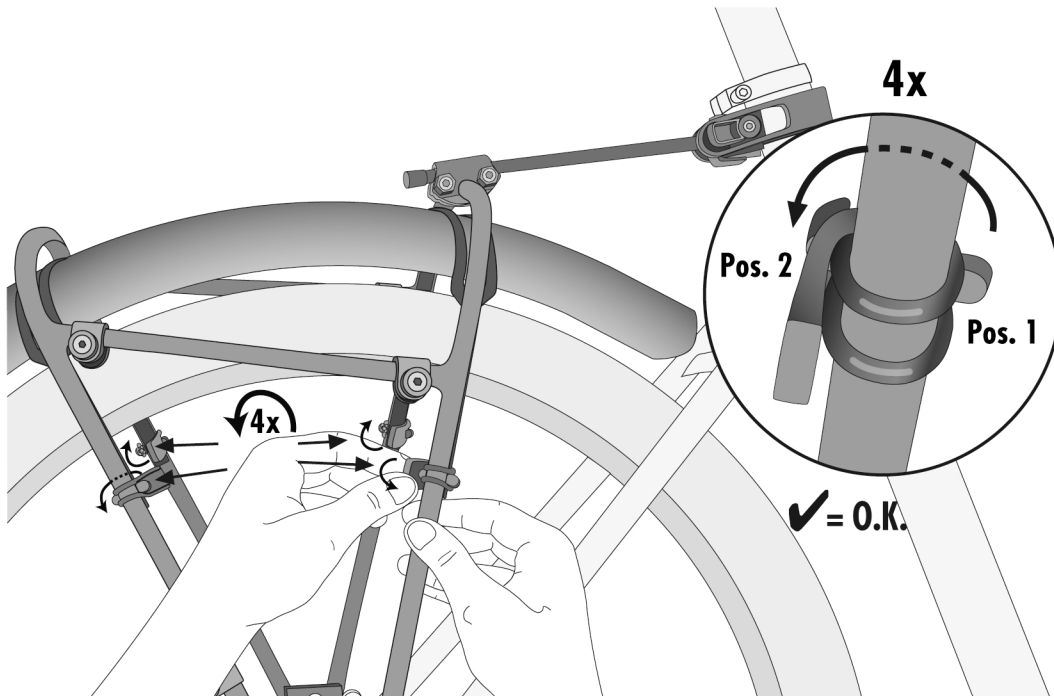


### 3.3 ADJUST HEIGHT AS NEEDED



### 3.4 SECURE SILICON RINGS ON 2ND STUD



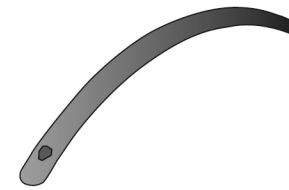
## QUICK RACK MUDGUARD



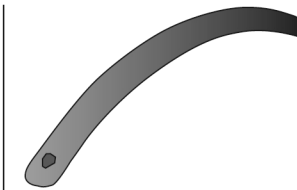
- DE MONTAGEANLEITUNG
- GB ASSEMBLY INSTRUCTIONS
- FR INSTRUCTIONS DE MONTAGE
- IT ISTRUZIONI DI MONTAGGIO
- NL MONTAGE HANDLEIDING
- DK MONTERINGSVEJLEDNING
- ES INSTRUCCIONES DE MONTAJE
- SE MONTERINGSANVISNING
- NO MONTERINGSANVISNING
- FI ASENNUSOHJEET
- PL INSTRUKCJA MONTAŻU
- JP 装着方法



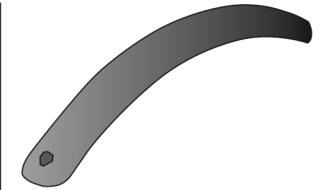
Only suitable for Ortlieb Quick Rack & Quick Rack Light  
Check positioning before riding (min. every 100KM)



Road  
Art. No. F78107  
38 mm  
max. 32/700c



Gravel/Trekking  
Art. No. F78108  
50 mm  
max. 45/700c



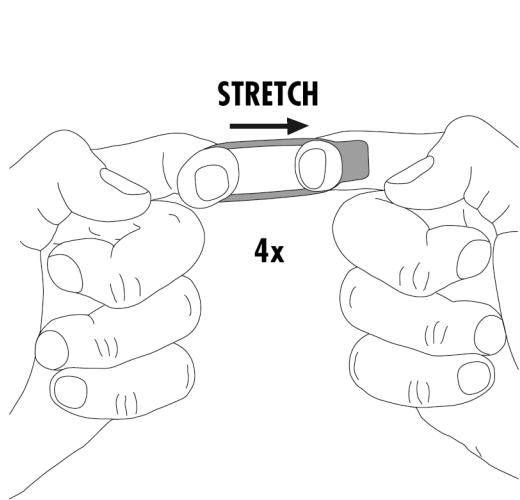
MTB  
Art. No. F78109  
72 mm  
max. 2,3"/29"



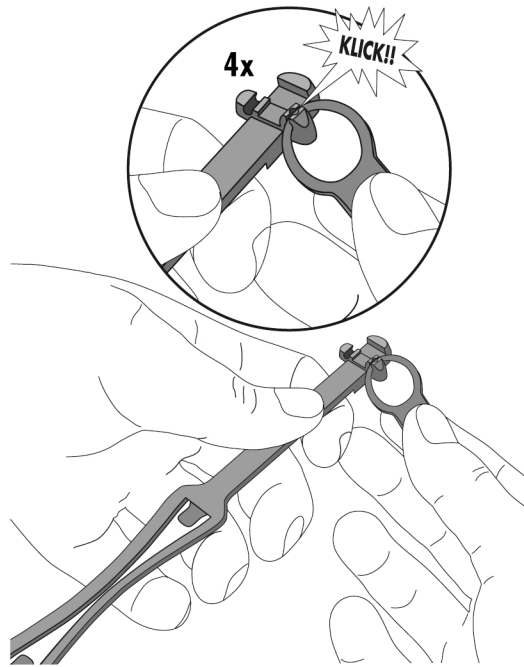
WEITERE INFORMATIONEN:  
MORE INFORMATION:  
<https://youtu.be/dlt1ScUPC-c>



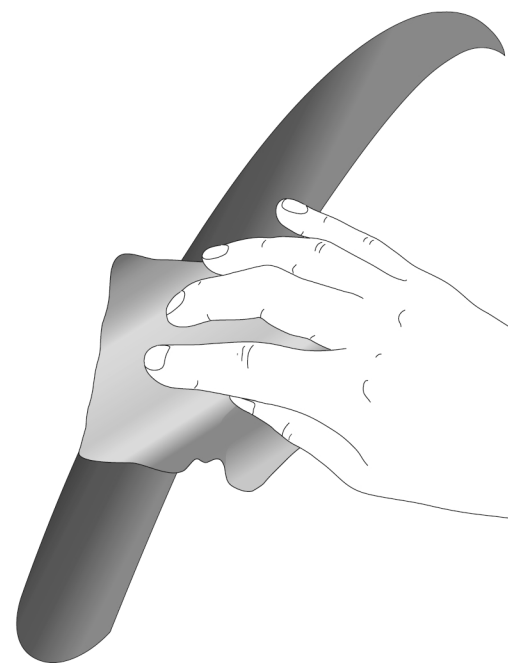
### 1.1 STRETCH SILICON RINGS (2cm)



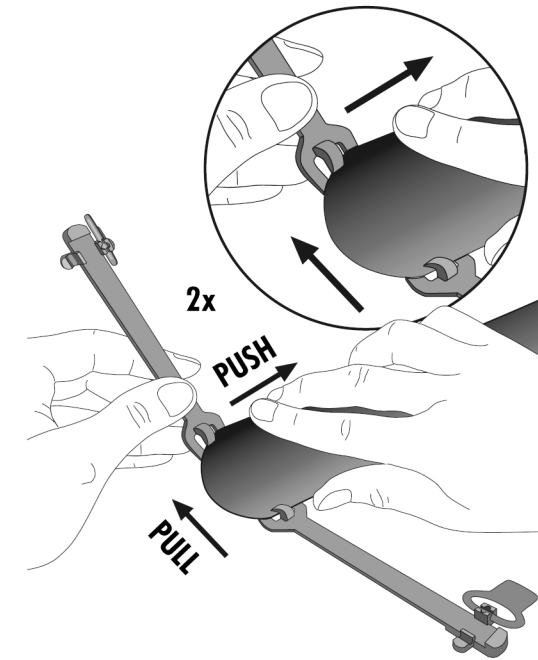
### 1.2 MOUNT SILICON RINGS



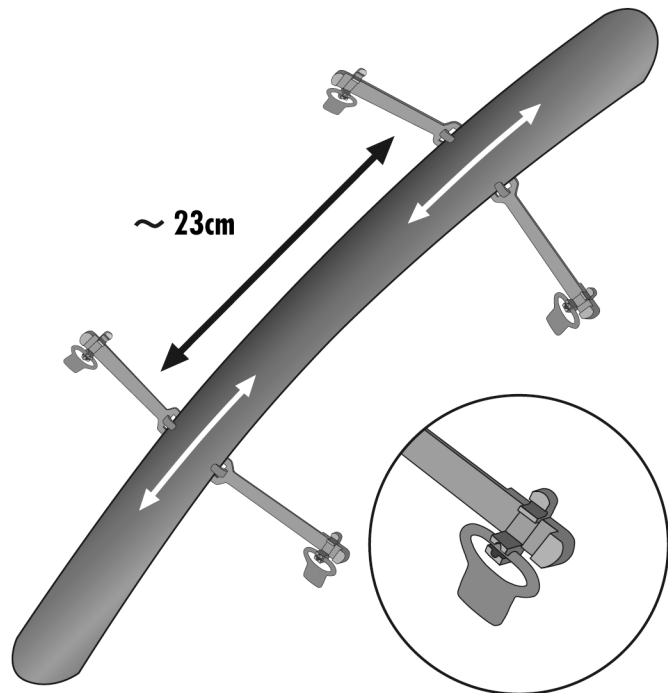
### 2.1 CHECK IF CLEAN



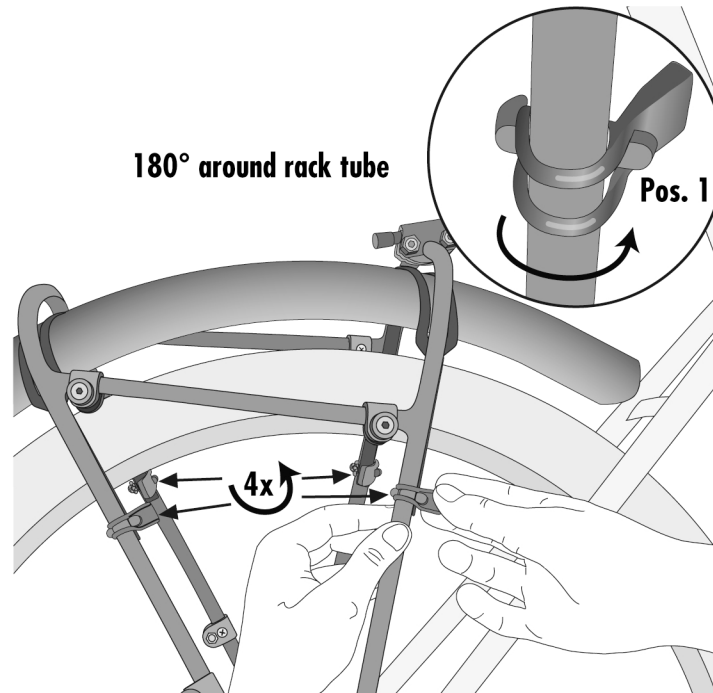
### 2.2 SLIDE MUDGUARD STAYS ON



### 2.3 ADJUST STAY POSITION AS NEEDED



### 3.1 ATTACH SILICON RINGS TO 1ST STUD



### 3.2 CONFIRM TIRE CLEARANCE ( $\geq 15\text{mm}$ )

