

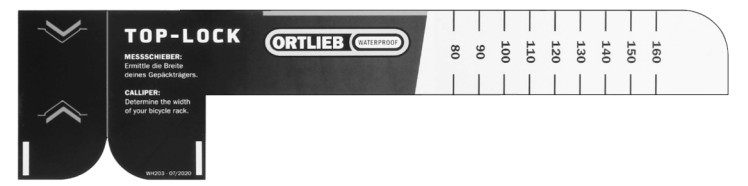
E-TRUNK



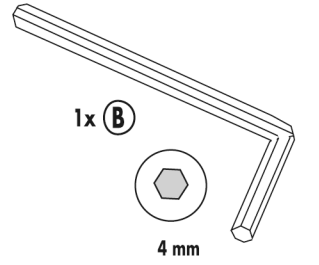
- DE MONTAGEANWEISUNG
- GB ASSEMBLY INSTRUCTIONS
- FR INSTRUCTIONS DE MONTAGE
- IT ISTRUZIONI DI MONTAGGIO
- NL MONTAGE HANDLEIDING
- DK MONTERINGSVEJLEDNING
- ES INSTRUCCIONES DE MONTAJE
- SE MONTERINGSANVISNING
- NO MONTERINGSANVISNING
- FI ASENNUSOHJEET
- PL INSTRUKCJA MONTAZU
- JP 装着方法



INHALT:
CONTENTS:
CONTENU:
CONTENUTO:
INHOUD:
INDHOLD:
CONTENIDO:
INNEHÅLL:
INNHOUD:
SISÄLLYS:
ZAWARTOSC:
内容物表



1x (A)



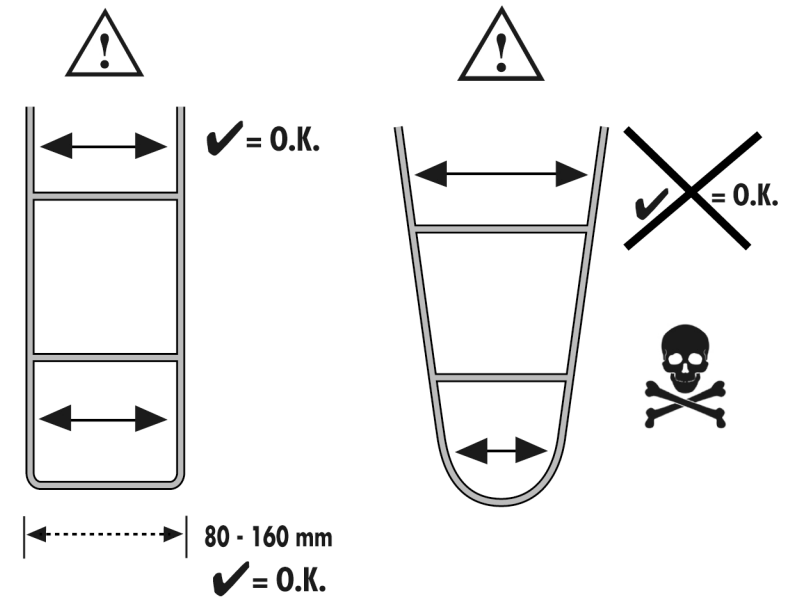
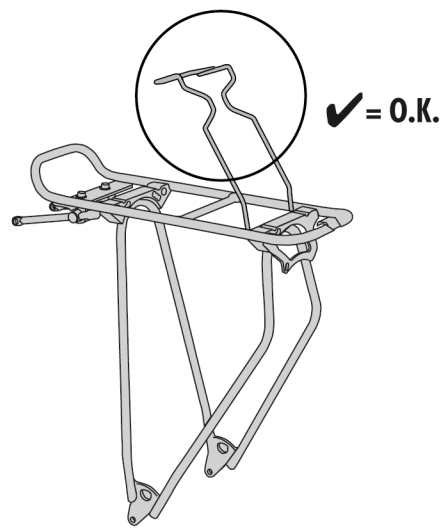
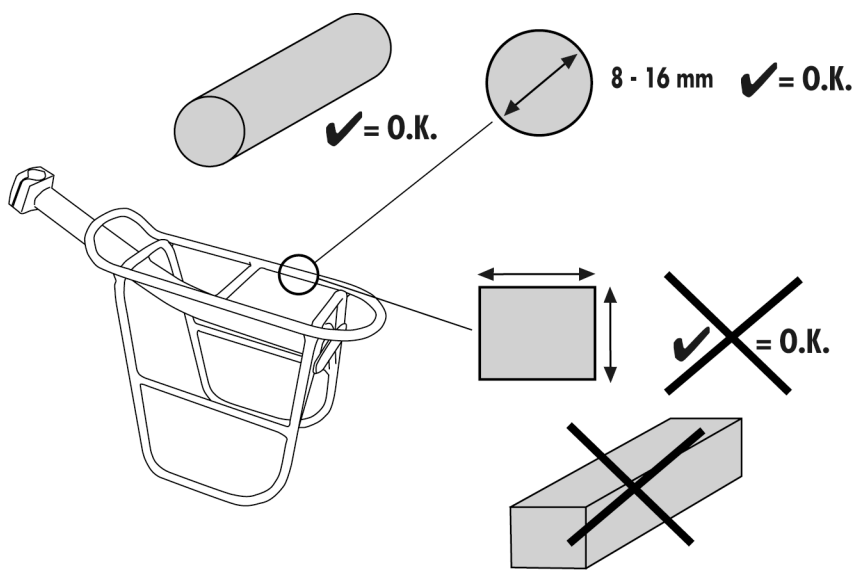
1x (B)

4 mm

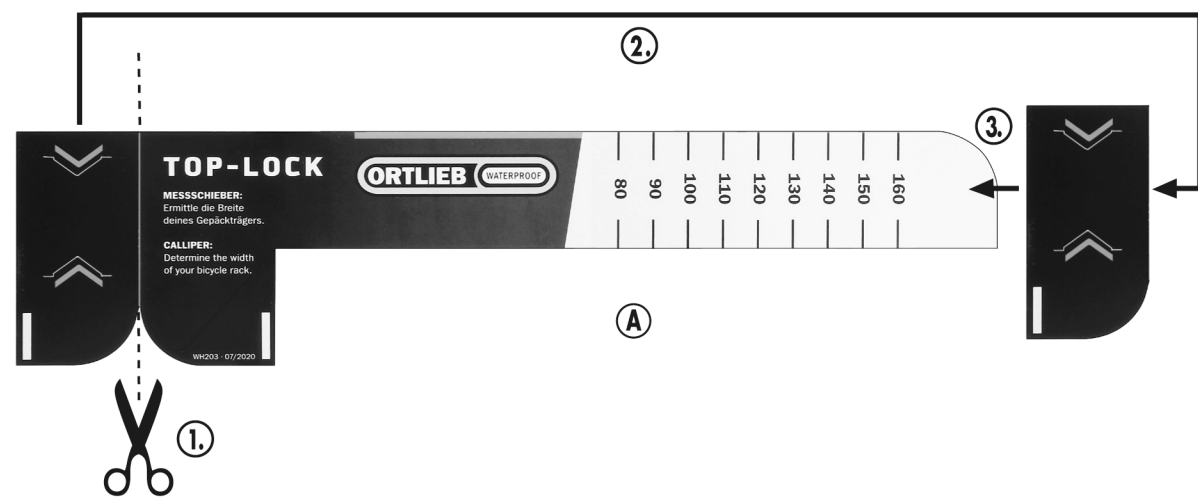


1x (C)

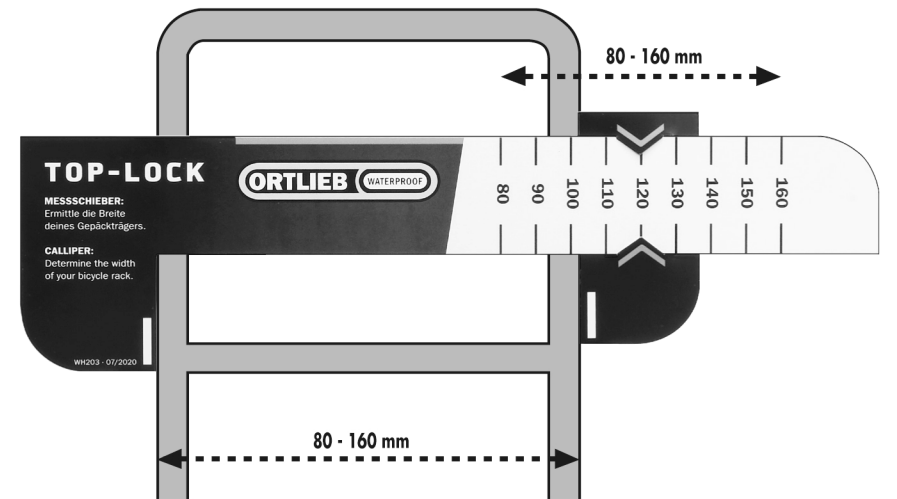
1



2



3



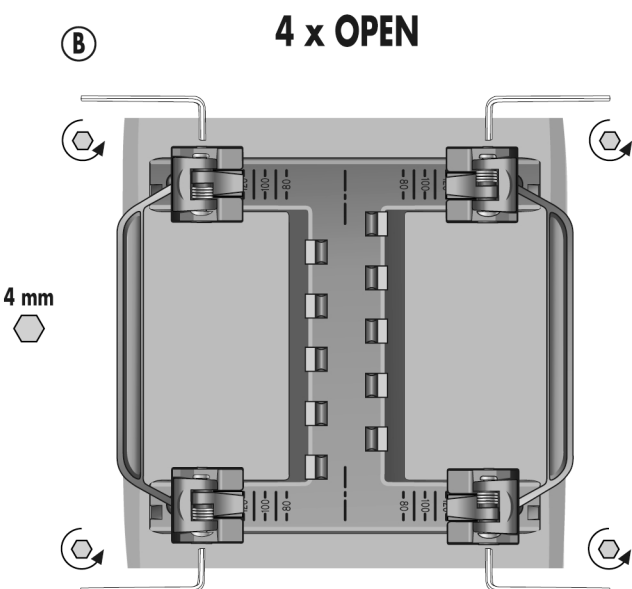
4

OPEN

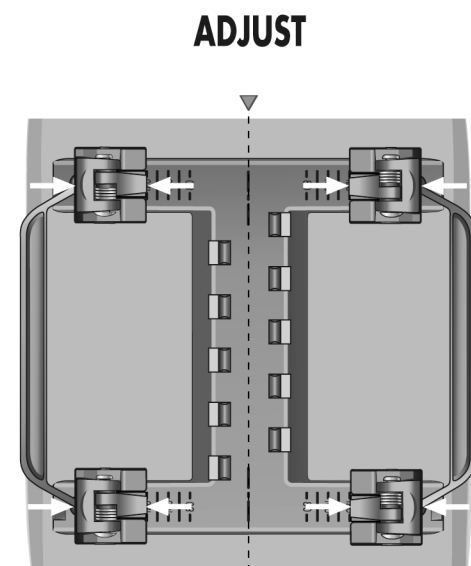
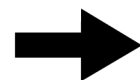
5

ADJUST

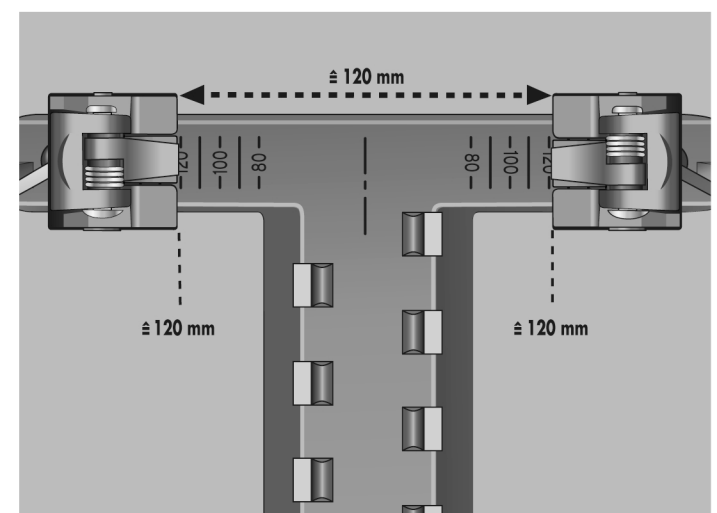
5 a. EXAMPLE



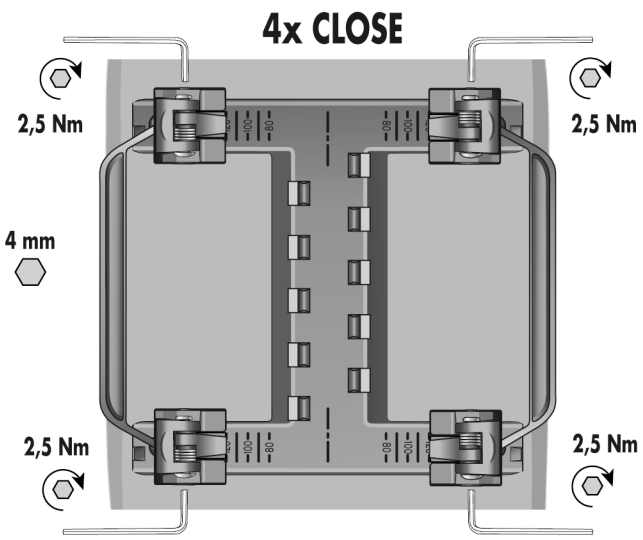
4 x OPEN



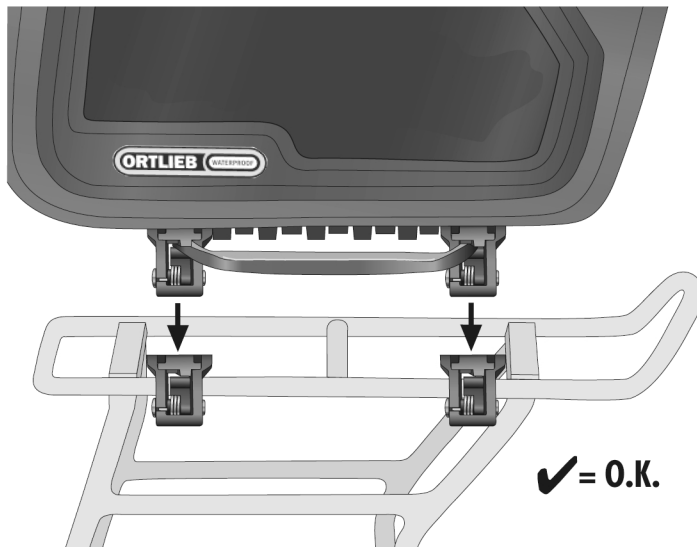
ADJUST



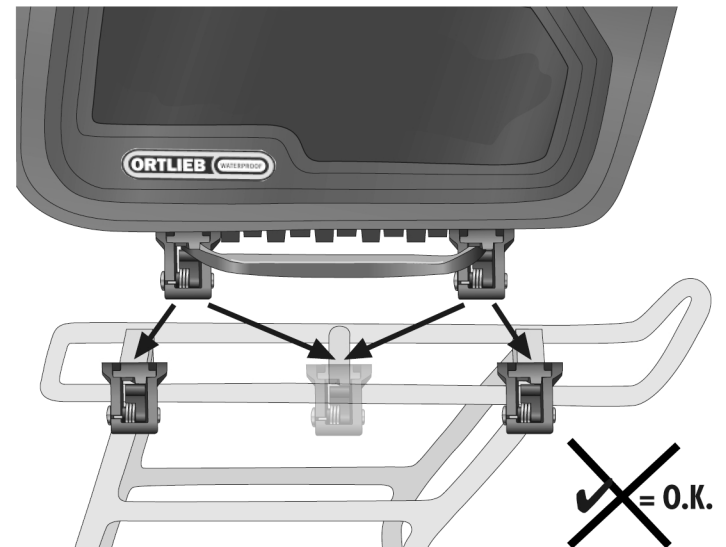
5 a.a. CLOSE



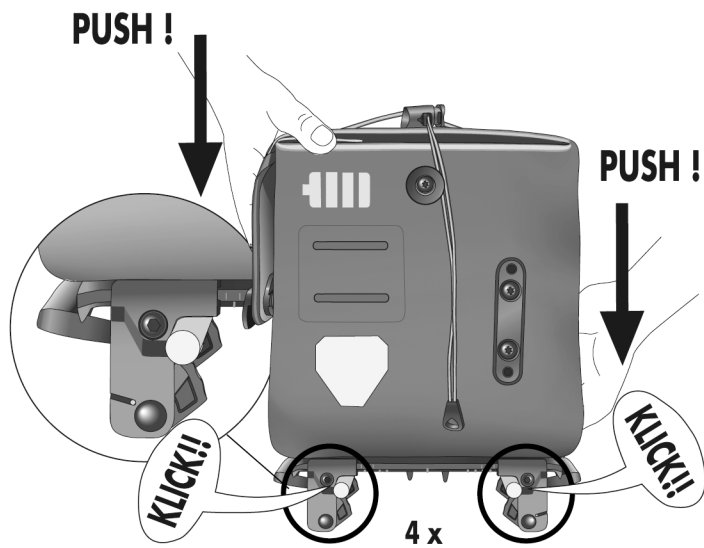
5 b.a. CORRECT POSITION



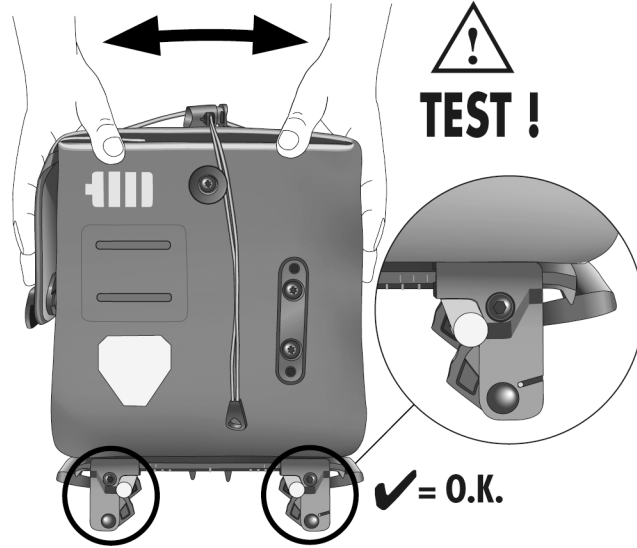
5 b.b. WRONG POSITION



5 c. FIX



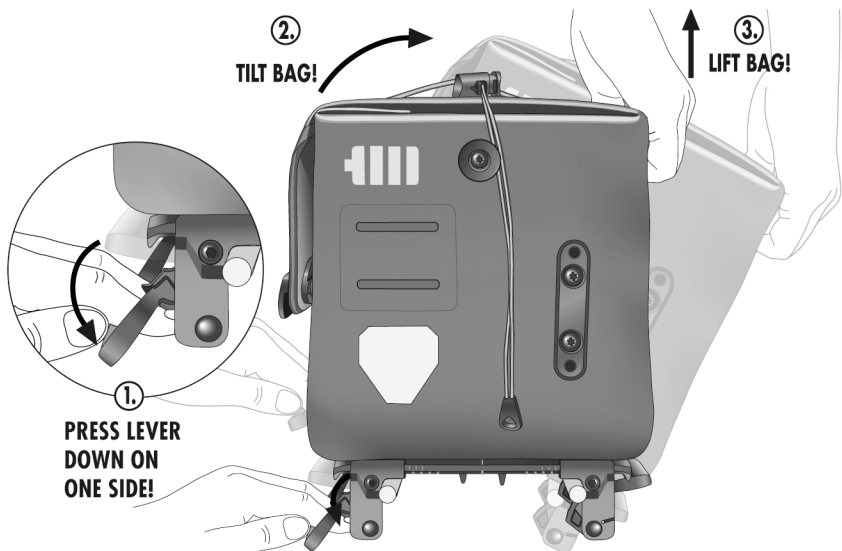
6 TEST



7 DIRECTION



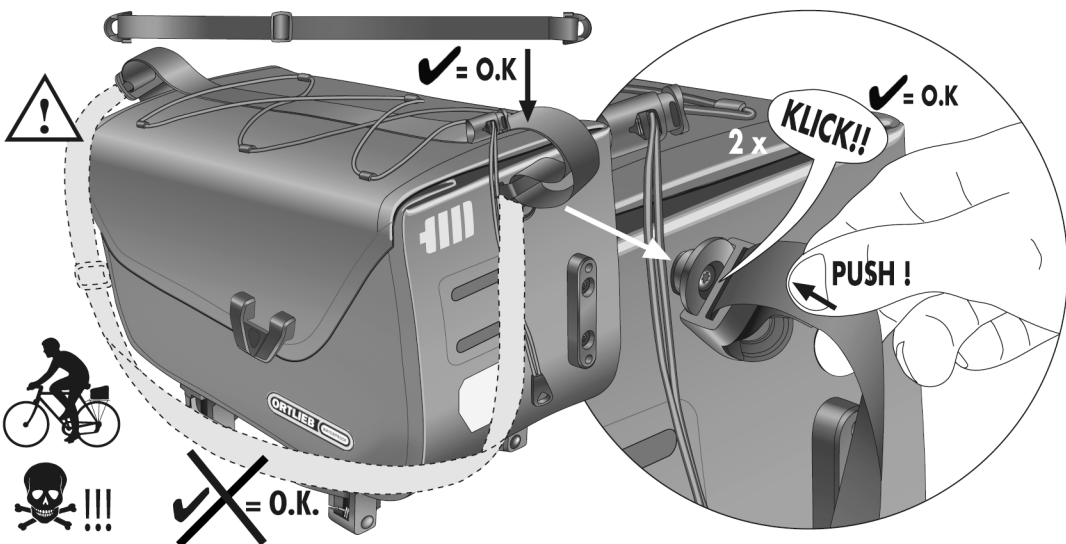
8 UNFIX



9



10

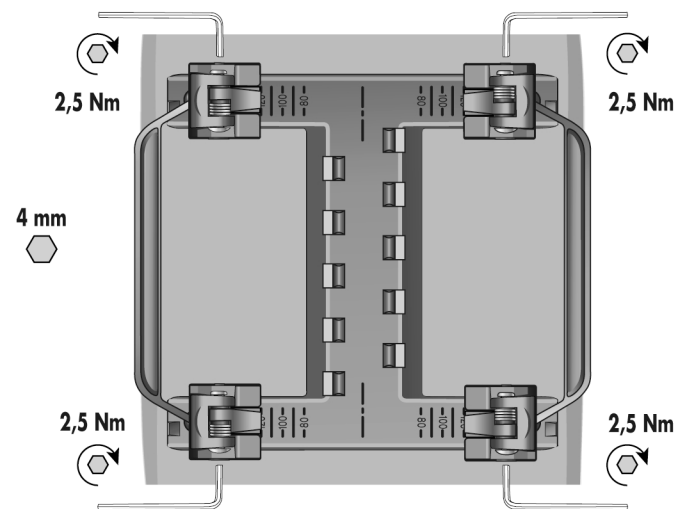


11

! CHECK FIXATION BEFORE EVERY RIDE



- 1.) 10 km (6 Miles)
- 2.) 50 km (30 Miles)
- 3.) 100 km (60 Miles)
- 4.) 200 km (120 Miles)
- etc.



12 OPTION 1 BOTTLE/CAGE - not included



13 OPTION 2 LIGHT - not included



! MAX. LOAD (INCL. BOTTLE)

